

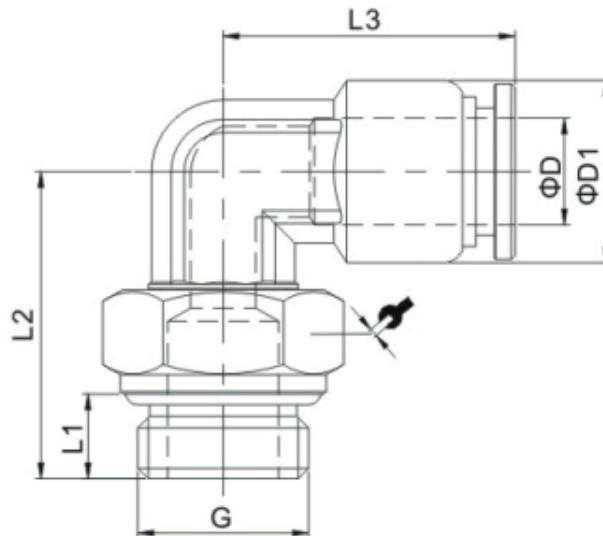
WINMAN 316L Stainless Steel Fittings
SSL-G Series

Product features

- The materials ensure Anti-Corrosion highly, all of them are made from SUS316L except the seal ring
- FKM is used as the seal ring, which can ensure Anti-Corrosion and acid resistant, also can be used in high temperature
- The accessories are oil-free and reach the Food Hygiene Law of People's Republic of China, which are applied widely in the range of industry such as food service industry, chemical industry and medical industry

Speciality

| | |
|-----------------------|-------------------|
| Fluid | Air, Water, Steam |
| Operating Pressure | 0~1.5 MPa |
| Max Pressure | -1.8 MPa |
| Operating Temperature | -20 °C~140 °C |

Dimension


| MODEL | ϕD | G | L1 | L2 | L3 | $\phi D1$ | |
|-----------|----------|------|-----|------|------|-----------|----|
| SSL04-M5 | 4 | M5 | 4 | 17.5 | 18.3 | 10 | 10 |
| SSL04-G01 | 4 | G1/8 | 5.5 | 20 | 18.3 | 10 | 13 |
| SSL06-M5 | 6 | M5 | 4 | 17.5 | 20.3 | 12 | 10 |
| SSL06-G01 | 6 | G1/8 | 5.5 | 22 | 20.3 | 12 | 13 |
| SSL06-G02 | 6 | G1/4 | 6.5 | 23 | 20.3 | 12 | 16 |
| SSL08-G01 | 8 | G1/8 | 5.5 | 22.5 | 22.3 | 14 | 13 |
| SSL08-G02 | 8 | G1/4 | 6.5 | 23.5 | 22.3 | 14 | 16 |
| SSL10-G02 | 10 | G1/4 | 6.5 | 31 | 26.4 | 17 | 17 |
| SSL10-G03 | 10 | G3/8 | 7.5 | 28.5 | 26.4 | 17 | 20 |
| SSL10-G04 | 10 | G1/2 | 9 | 29 | 26.4 | 17 | 24 |
| SSL12-G02 | 12 | G1/4 | 6.5 | 32.5 | 29.4 | 20 | 17 |
| SSL12-G03 | 12 | G3/8 | 7.5 | 30 | 29.4 | 20 | 20 |
| SSL12-G04 | 12 | G1/2 | 9 | 30.5 | 29.4 | 20 | 24 |