

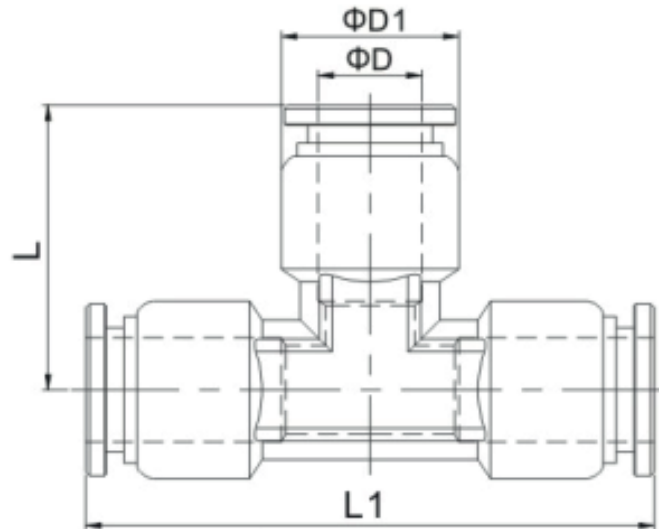
**WINMAN 316L Stainless Steel Fittings**
**SSE Series**

**Product features**

- The materials ensure Anti-Corrosion highly, all of them are made from SUS316L except the seal ring
- FKM is used as the seal ring, which can ensure Anti-Corrosion and acid resistant, also can be used in high temperature
- The accessories are oil-free and reach the Food Hygiene Law of People's Republic of China, which are applied widely in the range of industry such as food service industry, chemical industry and medical industry

**Speciality**

Fluid	Air, Water, Steam
Operating Pressure	0~1.5 MPa
Max Pressure	-1.8 MPa
Operating Temperature	-20 °C~140 °C

**Dimension**


MODEL	φD	φD1	L	L1
SSE 04	4	10	18.3	36.6
SSE 06	6	12	20.3	40.6
SSE 08	8	14	22.3	44.6
SSE 10	10	17	26.4	52.8
SSE 12	12	20	29.4	58.8