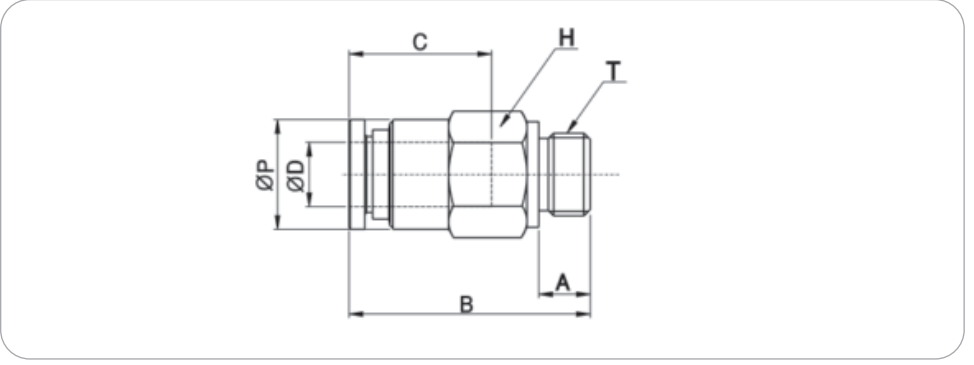


## SANG-A SPC-G Serisi Stop Rekor Bağlantılar



### Boyutlar

MODEL [ØD-T] Tube: (Metric) - Thread: (G)

MODEL	ØD	R	H	C	ØP	B	A	W.G(g)	Q'ty/ inbox
SPC 04-G01	4	G1/8	14	16	10	26.6	6	10.5	100
SPC 06-G01	6	G1/8	14	17	12	26.9	6	12.7	100
SPC 06-G02	6	G1/4	17	17	13	29.4	8	21.3	50
SPC 08-G01	8	G1/8	17	18.5	14	31.8	8	24	50
SPC 08-G02	8	G1/4	17	18.5	14	33.8	8	20.4	50
SPC 08-G03	8	G3/8	21	18.5	17	33.8	10	38.7	50
SPC 10-G02	10	G1/4	17	21	17	37.3	8	29.4	50
SPC 10-G03	10	G3/8	21	21	17	38.3	10	34.3	50
SPC 10-G04	10	G1/2	24	21	18	38.3	12	61	50
SPC 12-G03	12	G3/8	21	22	20.2	46	10	58.8	25
SPC 12-G04	12	G1/2	24	22	20.2	49	12	66.9	25