

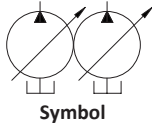
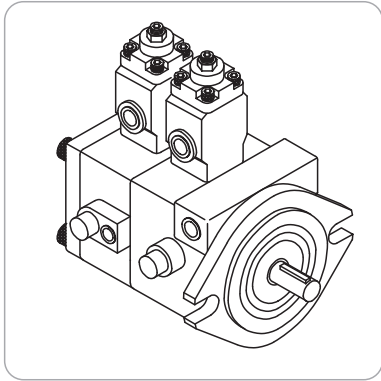
**WINMAN Variable Double Pump Ordering Code**

VPKCCF12.12  
VPKCCF15.15  
VPKCCF20.20

**Ordering Code**

V P K C C - F \* \* A \* A \* - 0 1 - A  
①                    ② ③ ④                    ⑤   ⑥                    ⑦                    ⑧

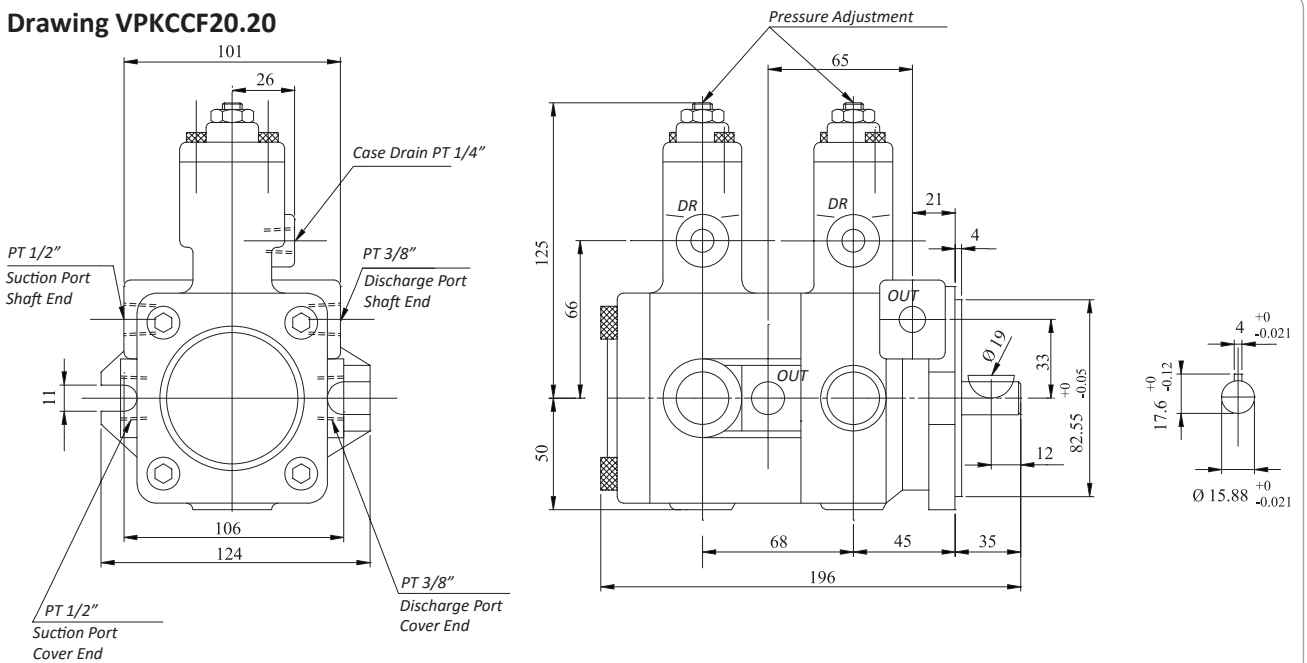
Net Weight: 9,5 Kg



- ① — Series Number  
Double Pump
- ② — Flange Type
- ③ — Output Flow  
Shaft End Pump at 1800rpm  
12,15,20 (l/min)
- ④ — Output Flow  
Cover End Pump at 1800rpm  
12,15,20 (l/min)
- ⑤ — Pressure Range  
of Shaft End Pump (P1)  
1:5-18      2:15-35      3:30-55      4:50-70 (Kgf/Cm<sup>2</sup>)
- ⑥ — Pressure Range  
of Cover End Pump (P2)  
1:5-18      2:15-35      3:30-55      4:50-70 (Kgf/Cm<sup>2</sup>)
- ⑦ — Shaft Type
- ⑧ — Type of Suction Port & Discharge Port  
A or No Marking: PT  
B: NPT  
C: SAE  
D: BSP

**WINMAN Variable Double Pump Dimensional**

**Drawing VPKCCF20.20**



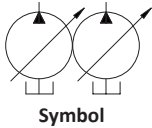
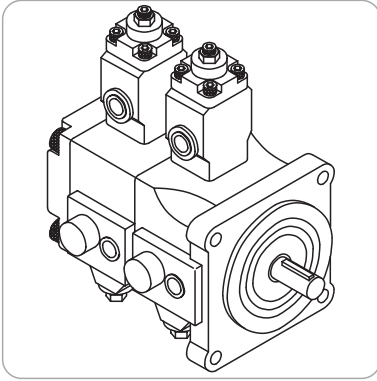
## WINMAN Variable Double Pump Ordering Code

VPKCCF23.23  
VPKCCF26.26  
VPKCCF30.30  
VPKCCF40.40

### Ordering Code

V P K C C - F \* \* A \* A \* - 0 1 - A  
 ①                    ② ③ ④                    ⑤   ⑥                    ⑦                    ⑧

Net Weight: 16 Kg



- ① — Series Number  
Double Pump
- ② — Flange Type
- ③ — Output Flow  
Shaft End Pump at 1800rpm  
23,26,30,40 (ℓ/min)
- ④ — Output Flow  
Cover End Pump at 1800rpm  
23,26,30,40 (ℓ/min)
- ⑤ — Pressure Range  
of Shaft End Pump (P1)  
1:5-18      2:15-35      3:30-55      4:50-70 (Kgf/Cm<sup>2</sup>)
- ⑥ — Pressure Range  
of Cover End Pump (P2)  
1:5-18      2:15-35      3:30-55      4:50-70 (Kgf/Cm<sup>2</sup>)
- ⑦ — Shaft Type
- ⑧ — Type of Suction Port & Discharge Port  
A or No Marking: PT  
B: NPT  
C: SAE  
D: BSP

## WINMAN Variable Double Pump Dimensional Drawing

### VPKCCF30.30

