

## Hand Valves

### HVSS-G SERIES



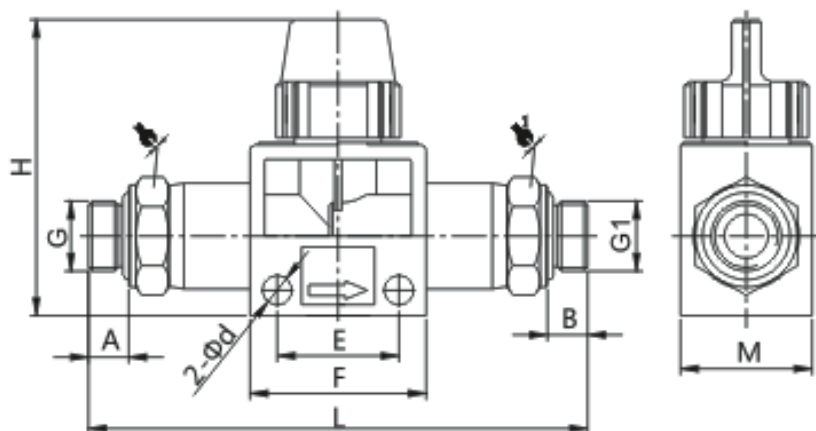
#### Product features

- The three-way valve, when the air is stopped, discharges residual pressure to the outlet, which assures safety in repairing or adjusting connected devices
- The two-way valve does not discharge residual pressure
- There are four types of hand valves for choosing

#### Speciality

Fluid	Air /no other gases or liquids)
Operating Pressure	0~1.0 MPa ( 150psi )
Negative Pressure	-100Kpa(-29.5 in Hg)
Operating Temperature	-60°C (32-140°F)
Applicable Tube	PU Polyurethane and Nylon

#### Dimension



MODEL	G	G1	A	B	φd	E	F	L	H	M		
HVSS G01-G01(B)	G1/8	G1/8	5.5	5.5	4.2	16.5	24	65	41	18	14	14
HVSS G02-G01(B)	G1/4	G1/8	7.5	5.5	4.2	16.5	24	67.5	41	18	17	14
HVSS G02-G02(B)	G1/4	G1/4	7.5	7.5	4.2	16.5	24	70	41	18	17	17
HVSS G03-G02(B)	G3/8	G1/4	7.5	7.5	4.2	21.5	29	82	45	22	21	21
HVSS G03-G03(B)	G3/8	G3/8	7.5	7.5	4.2	21.5	29	82	45	22	21	21
HVSS G04-G03(B)	G1/2	G3/8	10	7.5	4.2	21.5	29	85	45	22	24	21
HVSS G04-G04(B)	G1/2	G1/2	10	10	4.2	21.5	29	88	45	22	24	24