

Hand Valves

HVSF-G SERIES



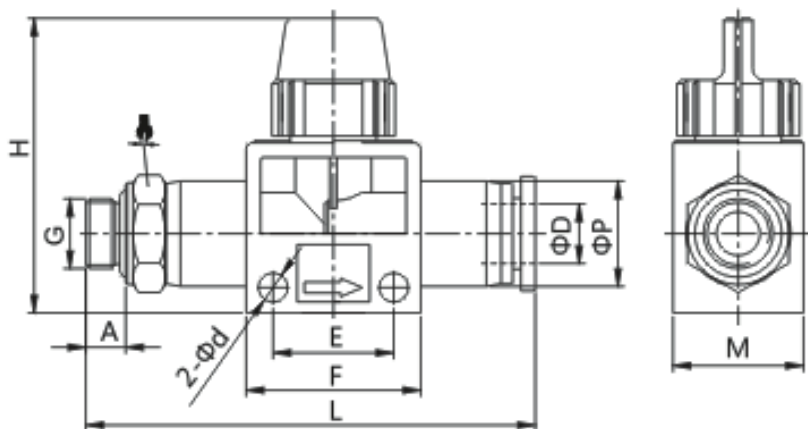
Product features

- The three-way valve, when the air is stopped, discharges residual pressure to the outlet, which assures safety in repairing or adjusting connected devices
- The two-way valve does not discharge residual pressure
- There are four types of hand valves for choosing

Speciality

Fluid	Air /no other gases or liquids)
Operating Pressure	0~1.0 MPa (150psi)
Negative Pressure	-100Kpa(-29.5 in Hg)
Operating Temperature	-60°C (32-140°F)
Applicable Tube	PU Polyurethane and Nylon

Dimension



MODEL	φD	G	A	φp	φd	E	F	L	H	M	
HVSF G01-06(B)	6	G1/8	5.5	15	4.2	16.5	24	58	41	18	14
HVSF G02-06(B)	6	G1/4	7.5	15	4.2	16.5	24	60.5	41	18	17
HVSF G03-06(B)	6	G3/8	7.5	15	4.2	16.5	24	61	41	18	20
HVSF G01-08(B)	8	G1/8	5.5	15	4.2	16.5	24	59	41	18	14
HVSF G02-08(B)	8	G1/4	7.5	15	4.2	16.5	24	61.5	41	22	17
HVSF G03-08(B)	8	G3/8	7.5	15	4.2	16.5	24	62	41	22	20
HVSF G02-10(B)	10	G1/4	7.5	21.5	4.2	21.5	29	73	45	22	21
HVSF G03-10(B)	10	G3/8	7.5	21.5	4.2	21.5	29	73	45	22	21
HVSF G04-10(B)	10	G1/2	10	21.5	4.2	21.5	29	76	45	22	24
HVSF G02-12(B)	12	G1/4	7.5	21.5	4.2	21.5	29	73	45	22	21
HVSF G03-12(B)	12	G3/8	7.5	21.5	4.2	21.5	29	73	45	22	21
HVSF G04-12(B)	12	G1/2	10	21.5	4.2	21.5	29	76	45	22	24