

Hand Valves

HVFS-G SERIES



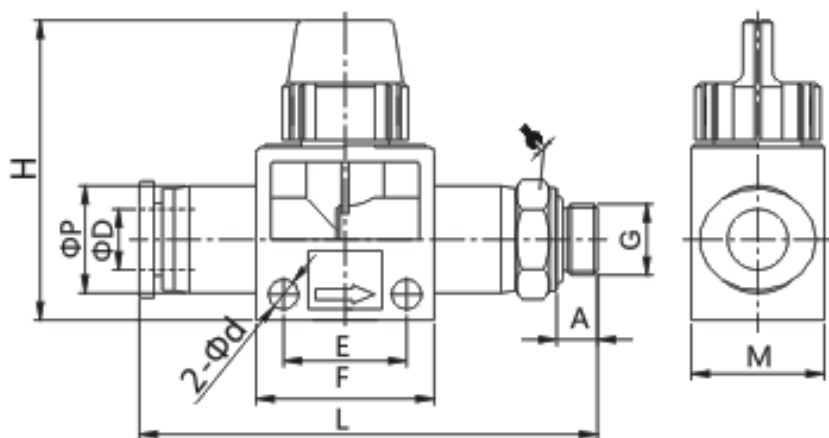
Product features

- The three-way valve, when the air is stopped, discharges residual pressure to the outlet, which assures safety in repairing or adjusting connected devices
- The two-way valve does not discharge residual pressure
- There are four types of hand valves for choosing

Speciality

Fluid	Air /no other gases or liquids)
Operating Pressure	0~1.0 MPa (150psi)
Negative Pressure	-100Kpa(-29.5 in Hg)
Operating Temperature	-60°C (32-140°F)
Applicable Tube	PU Polyurethane and Nylon

Dimension



MODEL	φD	G	A	φp	φd	E	F	L	H	M	🐾
HVFS 06-G01(B)	6	G1/8	5.5	15	4.2	16.5	24	58	41	18	14
HVFS 06-G02(B)	6	G1/4	7.5	15	4.2	16.5	24	60.5	41	18	17
HVFS 06-G03(B)	6	G3/8	7.5	15	4.2	16.5	24	61	41	18	20
HVFS 08-G01(B)	8	G1/8	5.5	15	4.2	16.5	24	59	41	18	14
HVFS 08-G02(B)	8	G1/4	7.5	15	4.2	16.5	24	61.5	41	18	17
HVFS 08-G03(B)	8	G3/8	7.5	15	4.2	16.5	24	62	41	18	20
HVFS 10-G02(B)	10	G1/4	7.5	21.5	4.2	21.5	29	73	41	22	21
HVFS 10-G03(B)	10	G3/8	7.5	21.5	4.2	21.5	29	73	45	22	21
HVFS 10-G04(B)	10	G1/2	10	21.5	4.2	21.5	29	76	45	22	24
HVFS 12-G02(B)	12	G1/4	7.5	21.5	4.2	21.5	29	73	45	22	21
HVFS 12-G03(B)	12	G3/8	7.5	21.5	4.2	21.5	29	73	45	22	21
HVFS 12-G04(B)	12	G1/2	10	21.5	4.2	21.5	29	76	45	22	24