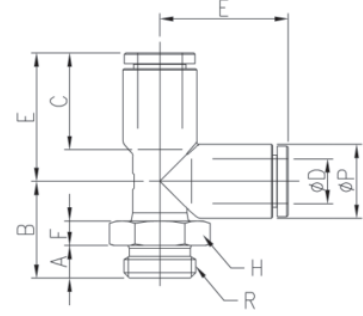
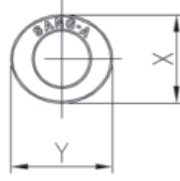


SANG-A GPST-G Serisi Yan Bacak Te Bağlantılar

Male Run Tee



Boyutlar

MODEL [ØD-T] Tube: (Metric) - Thread: (G)

(mm)

MODEL	ØD	R	ØP	A	B	C	E	F	H	X	Y	Orifice (Ømm)	W.G(g)	Q'ty/ inbox
GPST 04G01	4	G1/8	9	5	14.6	14.5	17.1	4.5	13	8.6	10.8	4	9.6	50
GPST 04G02	4	G1/4	9	6	15.3	14.5	17.1	4.5	16	8.6	10.8	4	15.0	50
GPST 04G03	4	G3/8	9	7	16.8	14.5	17.1	5	20	8.6	10.8	4	24.0	50
GPST 06G01	6	G1/8	11.2	5	15.7	15.5	19	4.5	13	11	13	4	11.4	50
GPST 06G02	6	G1/4	11.2	6	16.4	15.5	19	4.5	16	11	13	4	16.7	50
GPST 06G03	6	G3/8	11.2	7	17.9	15.5	19	5	20	11	13	4	25.8	50
GPST 06G04	6	G1/2	11.2	8.5	19.9	15.5	19	5.5	24	11	13	4	41.8	25
GPST 08G01	8	G1/8	13.6	5	19.6	17.8	23.6	7	13	13	15	5.5	17.6	50
GPST 08G02	8	G1/4	13.6	6	17.8	17.8	23.6	4.5	16	13	15	5.5	20.3	50
GPST 08G03	8	G3/8	13.6	7	18.8	17.8	23.6	4.5	20	13	15	5.5	28.4	25
GPST 08G04	8	G1/2	13.6	8.5	20.8	17.8	23.6	5	24	13	15	5.5	44.1	25
GPST 10G01	10	G1/8	16.3	5	21.9	19.4	25	5.5	15	16	18.5	6	21.6	25
GPST 10G02	10	G1/4	16.3	6	22.6	19.4	25	7.5	16	16	18.5	8	25.5	25
GPST 10G03	10	G3/8	16.3	7	21.1	19.4	25	5	20	16	18.5	9	28.9	25
GPST 10G04	10	G1/2	16.3	8.5	22.6	19.4	25	5	24	16	18.5	9	44.0	25
GPST 12G01	12	G1/8	19.7	5	23.8	22.4	32.2	5.5	5.5	19.5	22.5	6	32.2	20
GPST 12G02	12	G1/4	19.7	6	24.5	22.4	32.2	7.5	7.5	19.5	22.5	8	36.0	20
GPST 12G03	12	G3/8	19.7	7	23	22.4	32.2	5	5	19.5	22.5	9.5	39.4	20
GPST 12G04	12	G1/2	19.7	8.5	24.5	22.4	32.2	5	5	19.5	22.5	9.5	54.5	20
GPST 14G03	14	G3/8	23.5	5	30.5	24.4	31.9	11	11	23	25	11.5	61.1	16
GPST 14G04	14	G1/2	23.5	6	26	24.4	31.9	5	5	23	25	12	60.6	16
GPST 16G03	16	G3/8	25.6	7	31.5	25	34	11	11	24	27	11.5	61.4	16
GPST 16G04	16	G1/2	25.6	8.5	27	25	34	5	5	24	27	13	61.0	16