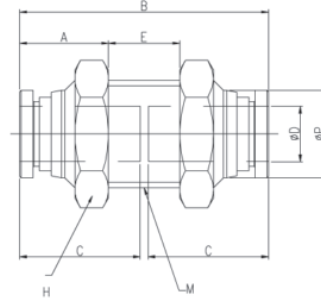


SANG-A GPMM Serisi Düz Perde Geçiş Nipel Bağlantılar

Bukhead Union



Boyutlar

MODEL [ØD-T] Tube: (Metric) - Thread: (R)

MODEL	ØD	ØP	M	A	H	B	C	E	Orifice (Ømm)	W.G(g)	Q'ty/ inbox
GPMM 04	4	8.8	M12X1.0P	10.7	14	30	14.5	8.6	3.2	18.6	100
GPMM 06	6	11	M14X1.0P	11.3	17	31.9	15.5	9.4	5	25.5	50
GPMM 08	8	13	M16X1.0P	13.2	19	37	17.8	10.6	7	35.5	50
GPMM 10	10	15.5	M20X1.0P	13.6	24	40.1	19.4	12.9	9	60.7	25
GPMM 12	12	18.8	M22X1.0P	15.3	26	45.8	22.4	15.4	10	78.3	25