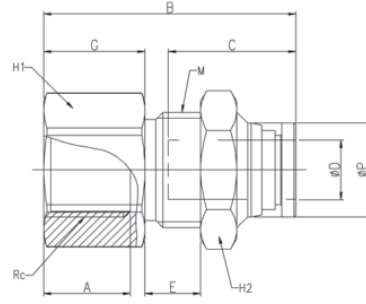


SANG-A GPMF-G Serisi Düz Perde Geçiş Nipel Bağlantılar

Bulkhead Female Straight



Boyutlar

MODEL [ØD-T] Tube: (Metric) - Thread: (G)

MODEL	ØD	R	ØP	M	G	A	B	C	E	H1	H2	Orifice (Ømm)	W.G(g)	Q'ty/ inbox
GPMF 04G01	4	G1/8	8.8	M12X1.0P	11	9	25.1	14.5	3.4	14	14	3.2	18.0	100
GPMF 04G02	4	G1/4	8.8	M12X1.0P	14	12	28.1	14.5	3.4	16	14	3.2	22.3	50
GPMF 04G03	4	G3/8	8.8	M12X1.0P	15	13	29.1	14.5	3.4	19	14	3.2	26.6	50
GPMF 06G01	6	G1/8	11	M14X1.0P	9	9	26.3	15.5	6	16	17	5	24.5	50
GPMF 06G02	6	G1/4	11	M14X1.0P	14	12	31.3	15.5	6	16	17	5	27.8	50
GPMF 06G03	6	G3/8	11	M14X1.0P	15	13	32.3	15.5	6	19	17	5	32.1	50
GPMF 08G01	8	G1/8	13	M16X1.0P	8	9	28.9	17.8	7.7	19	19	7	39.7	50
GPMF 08G02	8	G1/4	13	M16X1.0P	14	12	34.9	17.8	7.7	19	19	7	44.2	50
GPMF 08G03	8	G3/8	13	M16X1.0P	15	13	35.9	17.8	7.7	19	19	7	40.9	50
GPMF 08G04	8	G1/2	13	M16X1.0P	18	16	38.9	17.8	7.7	24	19	7	58.3	25
GPMF 10G01	10	G1/8	15.5	M20X1.0P	10	9	29.3	19.4	5.7	22	24	7	54.5	25
GPMF 10G02	10	G1/4	15.5	M20X1.0P	13	12	32.3	19.4	5.7	22	24	9	59.2	25
GPMF 10G03	10	G3/8	15.5	M20X1.0P	15	13	34.3	19.4	5.7	22	24	9	57.4	25
GPMF 10G04	10	G1/2	15.5	M20X1.0P	18	16	37.3	19.4	5.7	24	24	9	60.6	25
GPMF 12G01	12	G1/8	18.8	M22X1.0P	9	9	32.4	22.4	8.2	24	26	8	59.1	25
GPMF 12G02	12	G1/4	18.8	M22X1.0P	12	12	35.4	22.4	8.2	24	26	10	75.8	25
GPMF 12G03	12	G3/8	18.8	M22X1.0P	14	13	37.4	22.4	8.2	24	26	10	75.2	25
GPMF 12G04	12	G1/2	18.8	M22X1.0P	18	16	41.4	22.4	8.2	24	26	10	72.6	25