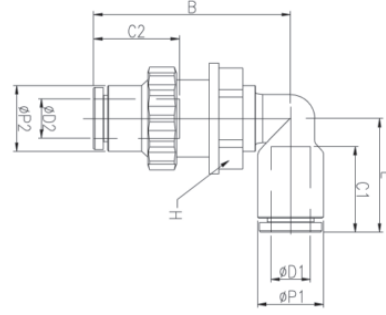


SANG-A GPLM Serisi Dirsek Perde Geçiř Nipel Baęlantılar

Bulkhead Union P



Boyutlar

MODEL [ØD-T] Tube: (Metric) - Thread: (R)

MODEL	ØD1	ØD2	ØP1	ØP2	C1	C2	M	B	E	F	G	H	I	Orifice (Ømm)	W.G(g)	Q'ty/ inbox
GPLM 04	4	4	9	9	14.5	14.5	M12X1.5P	33.2	17.1	11.6	5	14	5.1	3.2	6.2	100
GPLM 06	6	6	11.2	11.2	15.5	15.5	M14X1.5P	35.3	18	13	5	17	6.6	5	9.3	50
GPLM 08	8	8	13.6	13.6	17.8	17.8	M16X1.5P	40.9	23.6	14	6	19	6.8	7	13.2	50
GPLM 10	10	10	16.3	16.3	19.4	19.4	M20X2.0P	45.6	25	16	6	24	8.15	9	22.1	25
GPLM 12	12	12	19.7	19.7	22.4	22.4	M24X2.0P	52.1	32.2	18	6	27	9.85	10	28.2	20