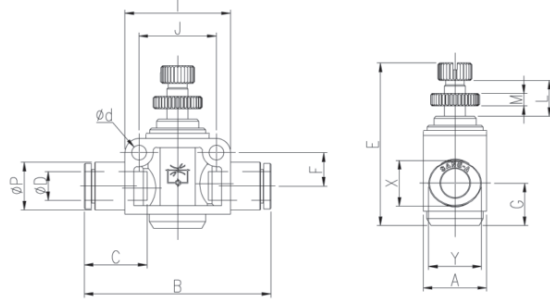


SANG-A GNSF Serisi Hat Tipi Hız Ayar Bağlantılar

Union Straight



Boyutlar

MODEL [ØD-T] Tube: (Metric) - Thread: (R)

MODEL	ØD	ØP	A	B	C	E	F	G	I	J	L	M	Ød	X	Y	W.G(g)	Q'ty/ inbox
GNSF 04	4	9	11	38.8	14.5	28.7	6.5	6.5	20	14	5	2.5	3.2	8.6	10.8	11.54	50
GNSF 06	6	11.2	15	46.7	15.5	40.9	8.5	10.9	28	20	9.5	3.5	4.2	11	13	27.61	25
GNSF 08	8	13.6	18	53	17.8	46.2	9.5	12	30	22	10.2	3.5	4.2	13	15	40.37	25
GNSF 10	10	16.3	21	60.6	19.4	52.5	11	12	34	26	11.5	3.5	4.2	16	18.5	66.35	20
GNSF 12	12	19.7	28	73.8	22.4	55.6	13	16	40	32	11.5	3.5	4.2	19.5	22.5	110.59	12