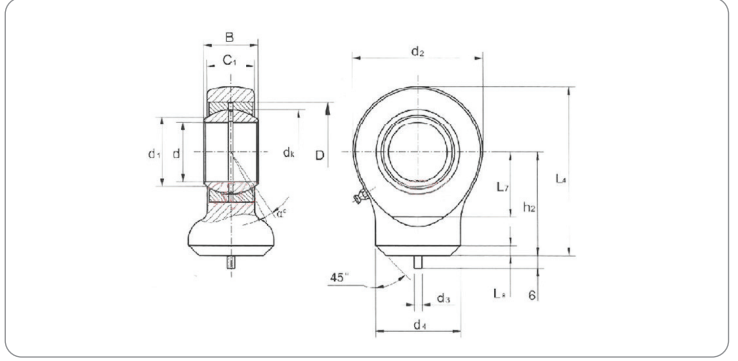


WINMAN GK Serisi Hidrolik Silindir Bağlantı Kulakları

Technical Drawings


Model No.	Dimensions											Load ratings kN		Weight ≈kg	Inventory
	d	B	d _k	C ₁	d ₂	h ₂	L ₄ max	d ₄	d ₃	L ₈	a° ≈	Load ratings kN/Dynamic	Load ratings kN/Static		
GK10DO	10	9	16	7	29	24	38.5	15	3	1.5	12	8.1	15	0.041	√
GK12DO ₁₎	12	10	18	8	34	27	44	17.5	3	1.5	10	10	21	0.066	√
GK15DO	15	12	22	10	40	31	51	21	4	2	8	16	32	0.12	√
GK17DO	17	14	25	11	46	35	58	24	4	2	10	21	40	0.19	√
GK20DO	20	16	29	13	53	38	64.5	27.5	4	2	9	30	54	0.23	√
GK25DO	25	20	35.5	17	64	45	77	33.5	4	3	7	48	72	0.43	√
GK30DO	30	22	40.7	19	73	51	87.5	40	4	3	6	62	95	0.64	√
GK35DO	35	25	47	21	82	61	102	47	4	3	6	79	125	0.96	√
GK40DO	40	28	53	23	92	69	115	52	4	4	7	99	156	1.3	√
GK45DO	45	32	60	27	102	77	128	58	6	4	7	127	208	1.8	√
GK50DO	50	35	66	30	112	88	144	62	6	4	6	156	250	2.5	√
GK60DO	60	44	80	38	135	100	167.5	70	6	4.5	6	245	390	3.9	√
GK70DO	70	49	92	42	160	115	195	80	6	6	6	313	510	6.6	√
GK80DO	80	55	105	47	180	141	231	95	6	6	6	400	620	8.7	√