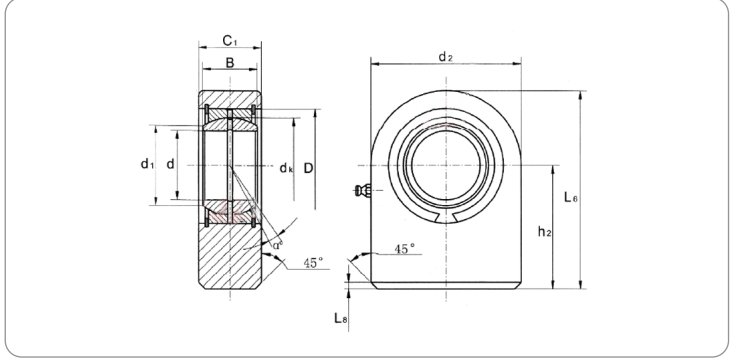


WINMAN GF Serisi Hidrolik Silindir Bağlantı Kulakları

Technical Drawings


Model No.	Dimensions											Load ratings kN		Weight ≈kg	Inventory
	d	B	dk	C ₁	d ₂	h ₂	L ₆ max	r _s min	d ₁	L ₈	a° ≈	Load ratings kN/Dynamic	Load ratings kN/Static		
GF15DO	15	12	22	16	45	31	53.5	0.3	18.4	2	8	17	53	0.22	o
GF16DO	16	14	22	17.5	48	35	59	0.3	20.7	2	10	21.2	59	0.29	o
GF17DO	17	14	25	17.5	48	35	59	0.3	20.7	2	10	21.2	65	0.29	o
GF20DO	20	16	29	19	50	38	63	0.3	24.2	2	9	30	67	0.35	√
GF25DO	25	20	35.5	23	55	45	72.5	0.6	29.3	2	7	48	69	0.53	√
GF30DO	30	22	40.7	28	65	51	83.5	0.6	34.2	2	6	62	118	0.87	√
GF35DO	35	25	47	30	83	61	102.5	0.6	39.8	2	6	79	196	1.5	√
GF40DO	40	28	53	35	100	69	119	0.6	45	3	7	99	305	2.4	√
GF45DO	45	32	60	40	110	77	132	0.6	50.8	3	7	127	386	3.4	√
GF50DO	50	35	66	40	123	88	149.5	0.6	55.9	3	6	156	441	4.4	√
GF60DO	60	44	80	50	140	100	170	1	66.8	7	6	245	570	7.1	√
GF70DO	70	49	92	55	164	115	197	1	77.9	7	6	313	724	10	√
GF80DO	80	55	105	60	180	141	231	1	89.4	7	6	400	804	15	√
GF90DO	90	60	115	65	226	150	263	1	98.1	7	5	490	1340	23.5	√
GF100DO	100	70	130	70	250	170	295	1	109.5	7	7	610	1500	31.5	√
GF110DO	110	70	140	80	295	185	332.5	1	121.2	7	6	655	2160	48.5	o
GF120DO	120	85	160	90	360	210	390	1	135.5	7	6	950	3250	79	o