

DC MOTOR LINEAR ACTUATOR

WEKS products WKKB Control Box and WEKB Hand Controller can also be used with 24VDC power.

**WKKB
CONTROL BOX**

**WEKB HAND
CONTROLLER**



**WEKS LINEAR
ACTUATOR**

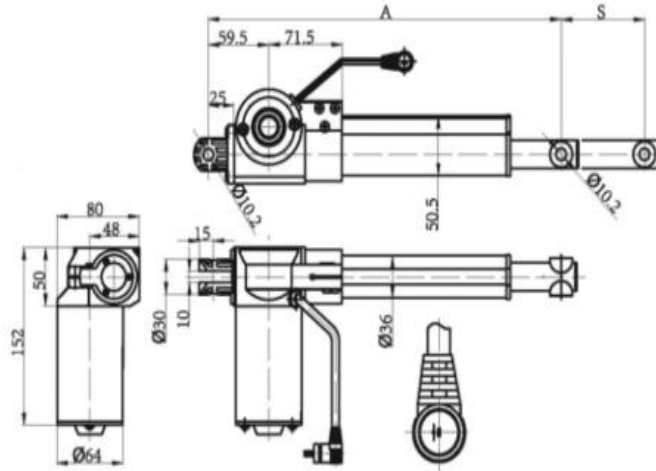
WEKS LINEAR ACTUATOR



Technical Specifications

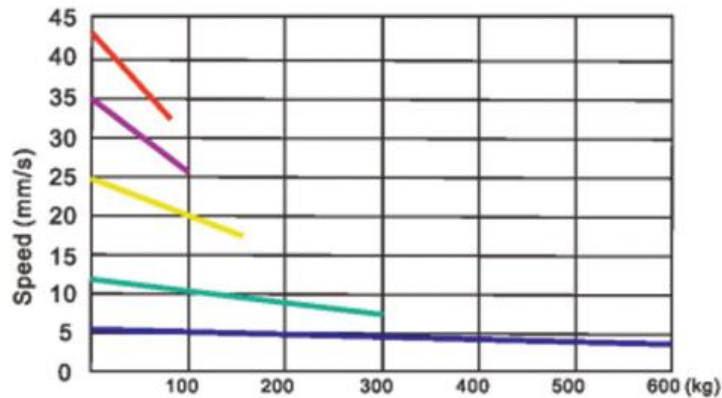
- The products have limit sensors at the starting and ending positions.
- Noise level of the products: <48dB
- Speed value is specified for no-load operation.
- The products have a duty cycle value of 10% (2 minutes of continuous operation followed by 18 minutes of rest).
- The operating temperature range is -20 to +40°C.

Technical Drawing



KOD	İTME KUVVETİ [N]	ÇEKME KUVVETİ [N]	HIZ [mm/s]	VOLTAJ	IP SINIFI	S [mm] STROK	A [mm]
WEEKS-24-04-30	6000	4000	4	24V DC	44	30	190
WEEKS-24-04-50	6000	4000	4	24V DC	44	50	210
WEEKS-24-04-100	6000	4000	4	24V DC	44	100	260
WEEKS-24-04-150	2000	1000	12	24V DC	44	150	310
WEEKS-24-04-200	6000	4000	4	24V DC	44	200	360
WEEKS-24-04-300	6000	4000	4	24V DC	44	300	480
WEEKS-24-04-500	6000	4000	4	24V DC	44	500	750

Speed vs Load



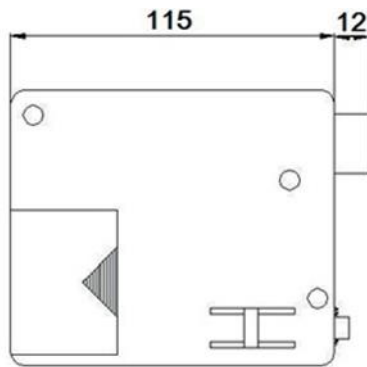
WKKB CONTROL BOX



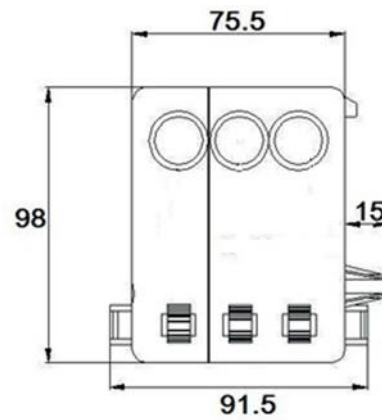
Technical Specifications

- The products have a duty cycle value of 10% (2 minutes of continuous operation followed by 18 minutes of rest).
- The operating temperature range is -20 to +40°C.
- The IP rating is 51.

Technical Drawing



WKKB2A



KOD	NUMBER OF WEKS UNITS THAT CAN BE CONNECTED [UNITS]	NUMBER OF WKBB UNITS THAT CAN BE CONNECTED [UNITS]	INPUT VOLTAGE	OUTPUT VOLTAGE	MAX CURRENT [A]
WKKB1A	1	1	230VAC 50HZ	24V DC	5
WKKB2A	2	1	230VAC 50HZ	24V DC	5

WEKB HAND CONTROLLER



WEKB2

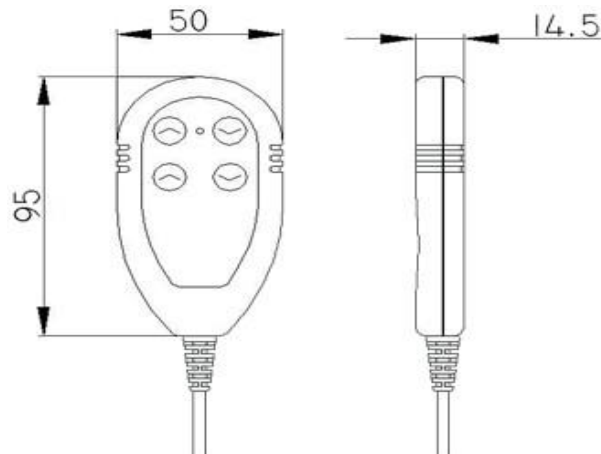


WEKB4

Technical Specifications

- The products have a duty cycle value of 10% (2 minutes of continuous operation followed by 18 minutes of rest).
- The operating temperature range is -20 to +40°C.
- The IP rating is 51.

Technical Drawing



KOD	NUMBER OF WEKS UNITS THAT CAN BE CONNECTED [UNITS]
WEKB2	1
WEKB4	2