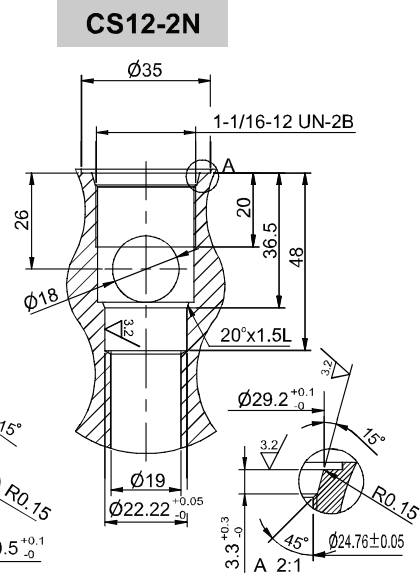
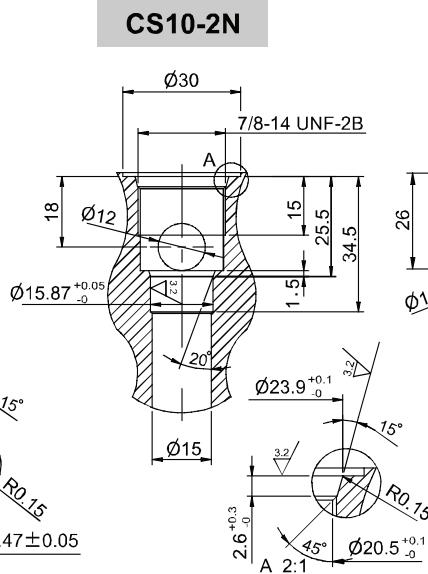
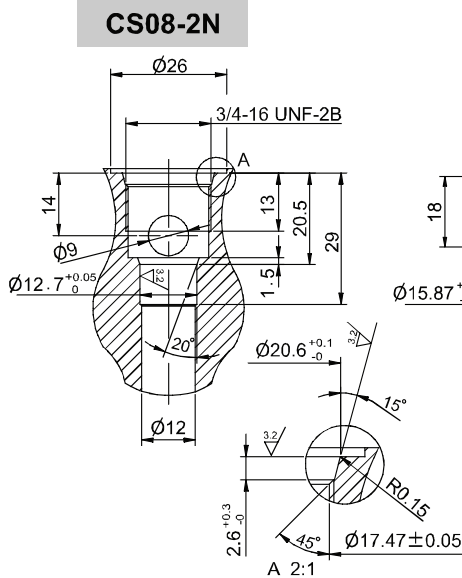
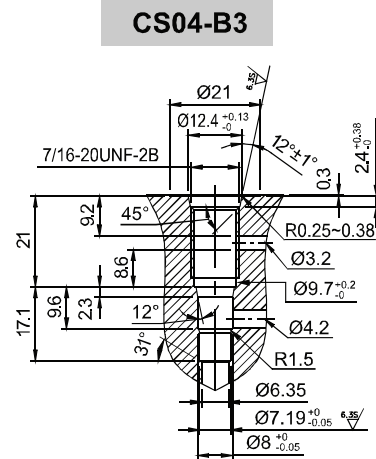
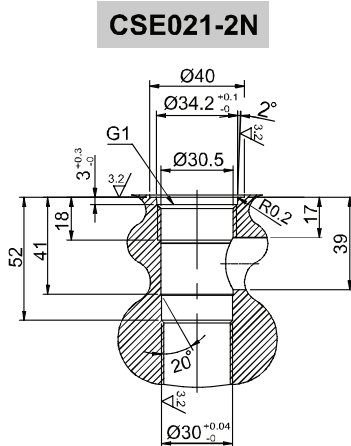
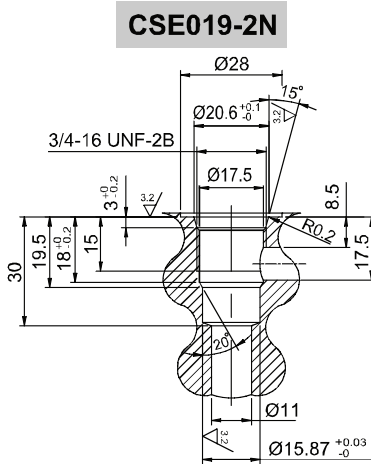
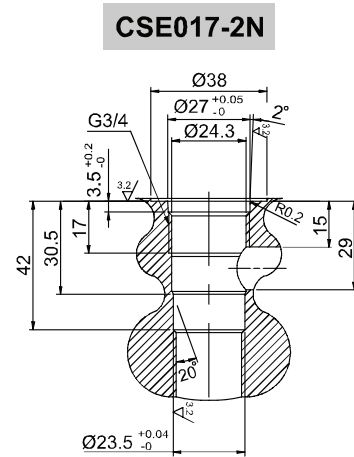
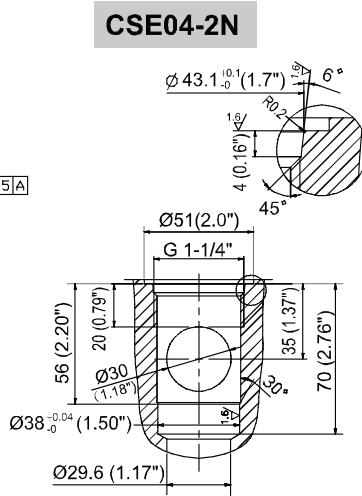
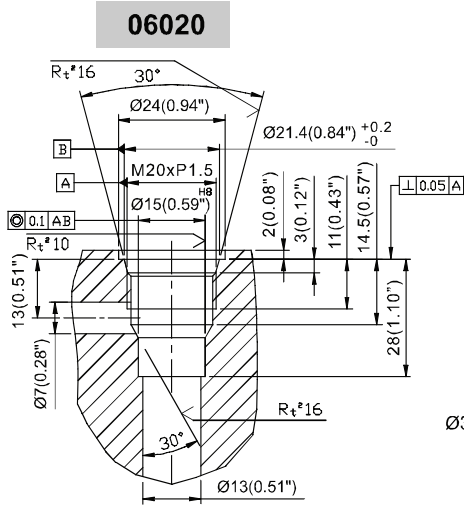
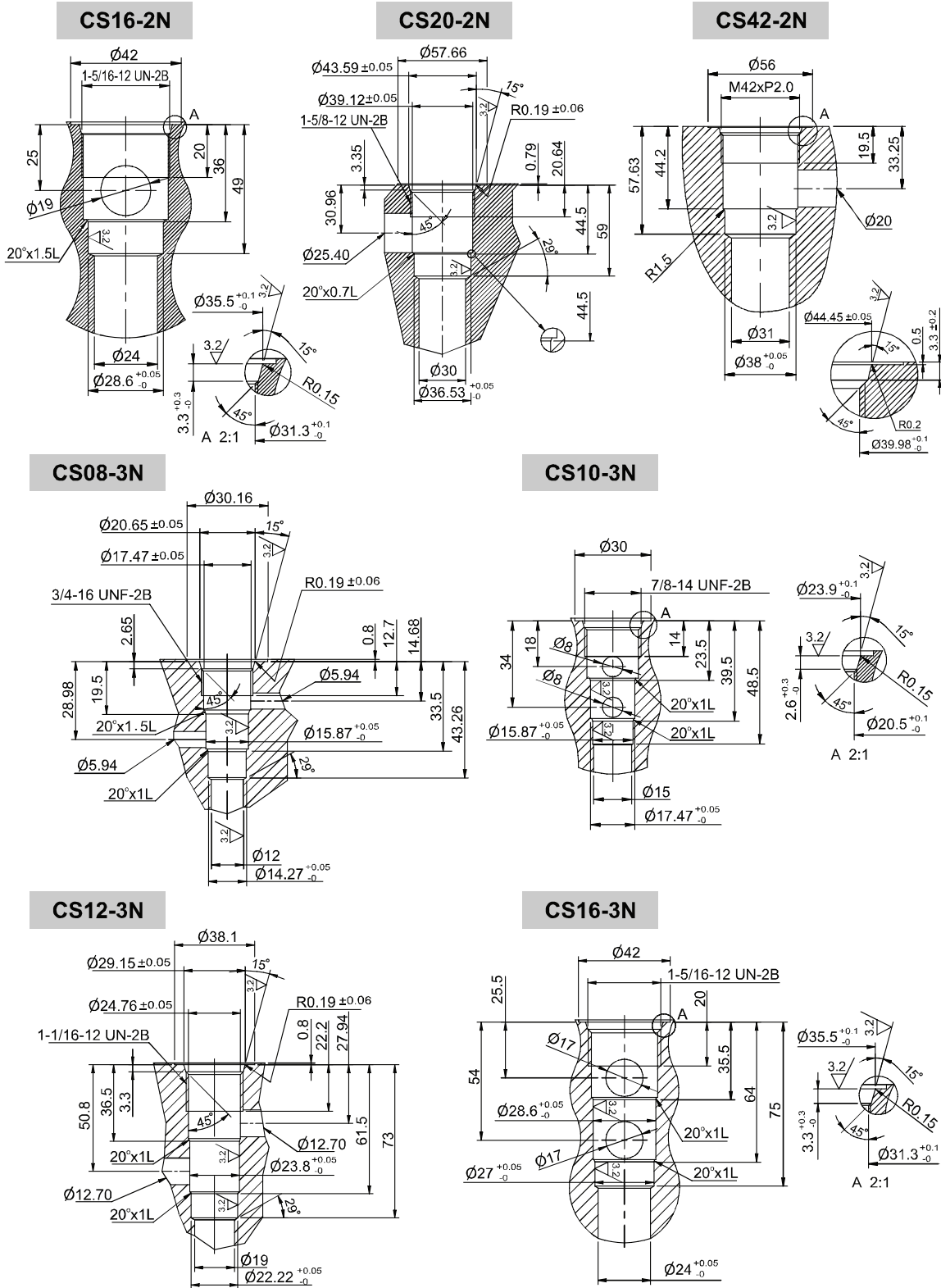


Cavities Dimensions



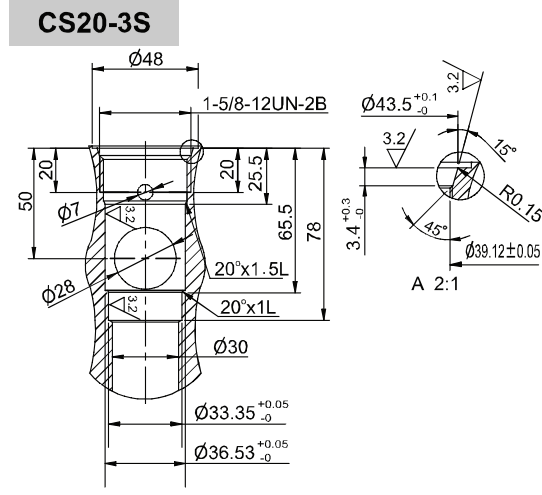
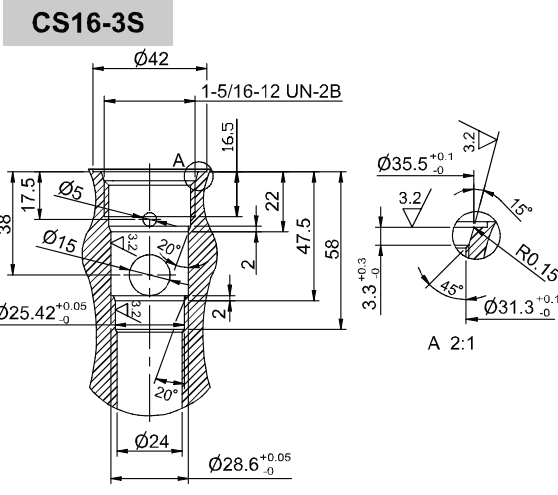
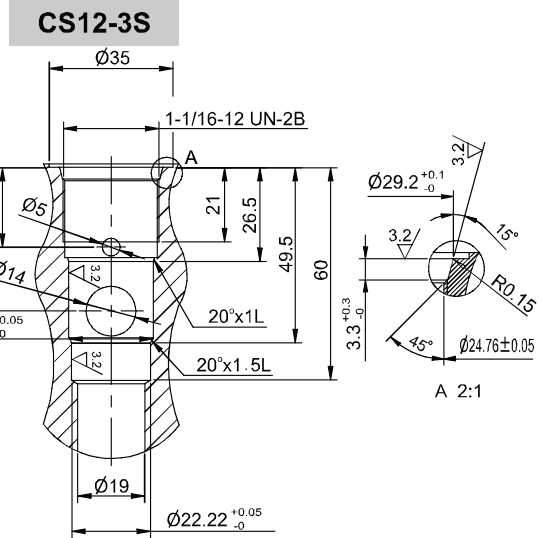
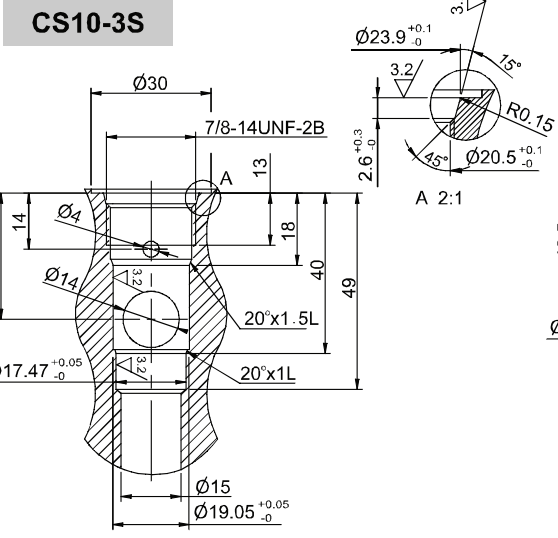
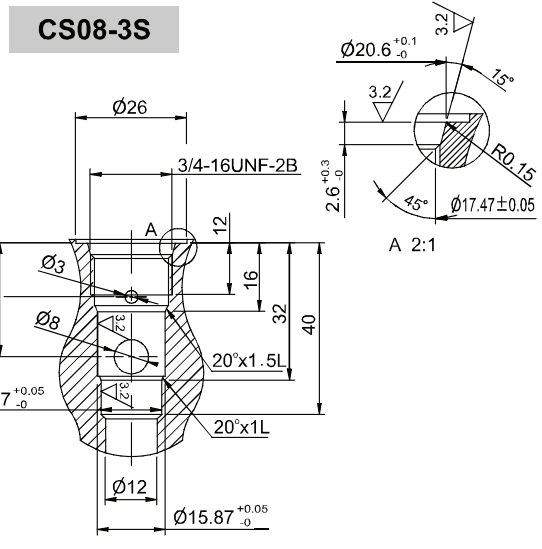
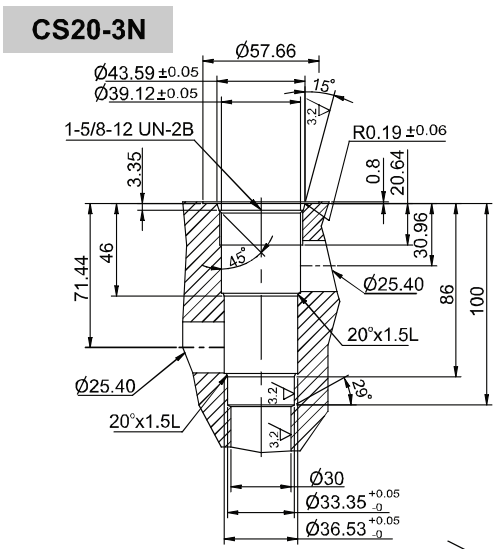
● Recommended tap drill size just for reference.

Cavities Dimensions



● Recommended tap drill size just for reference.

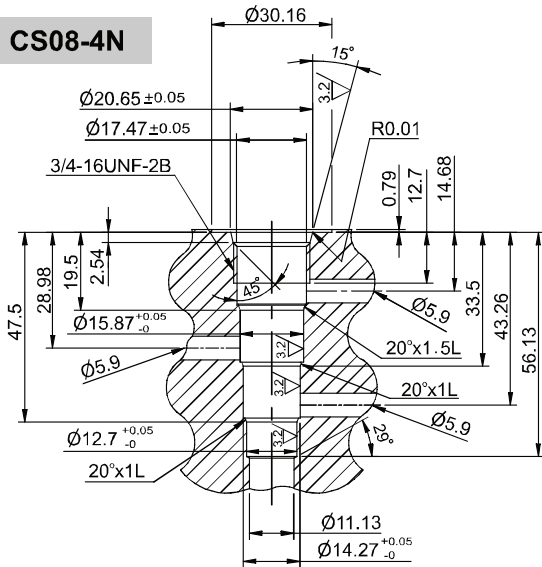
Cavities Dimensions



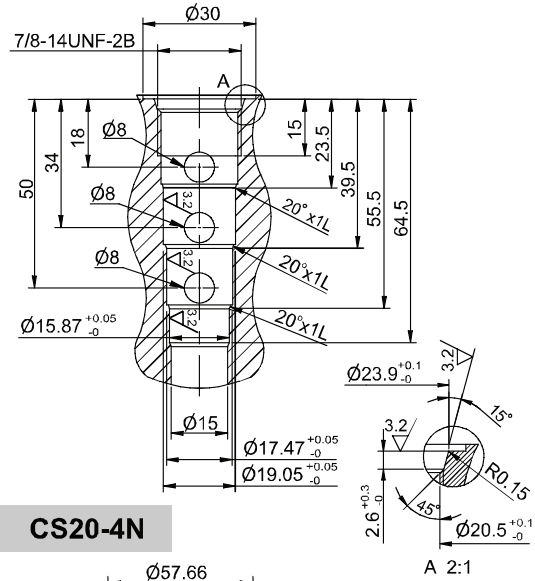
● Recommended tap drill size just for reference.

Cavities Dimensions

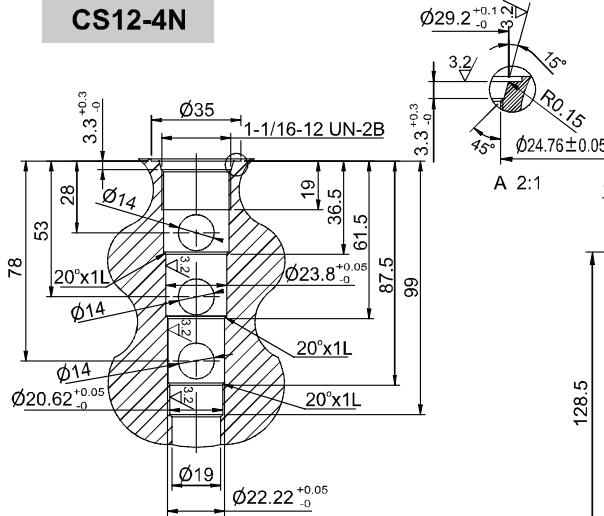
CS08-4N



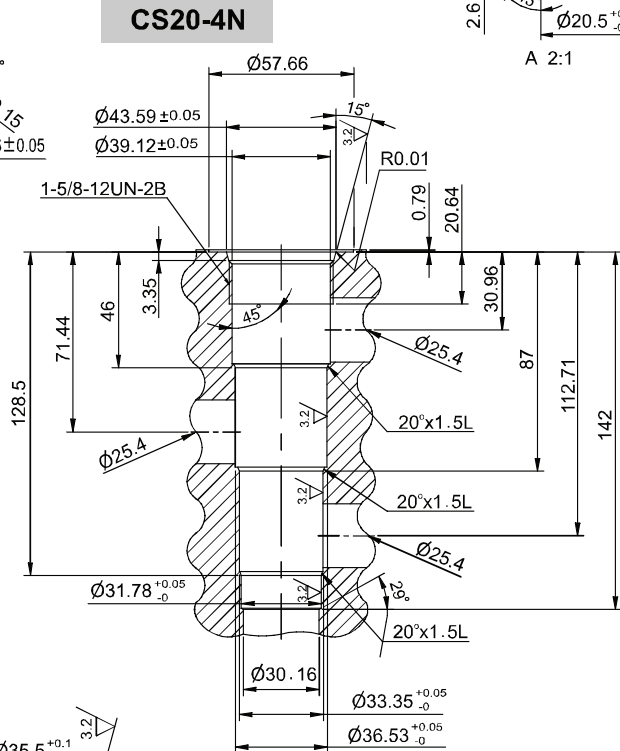
CS10-4N



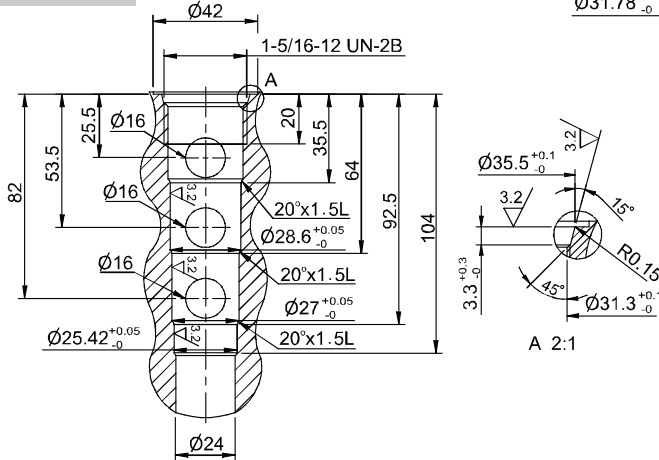
CS12-4N



CS20-4N



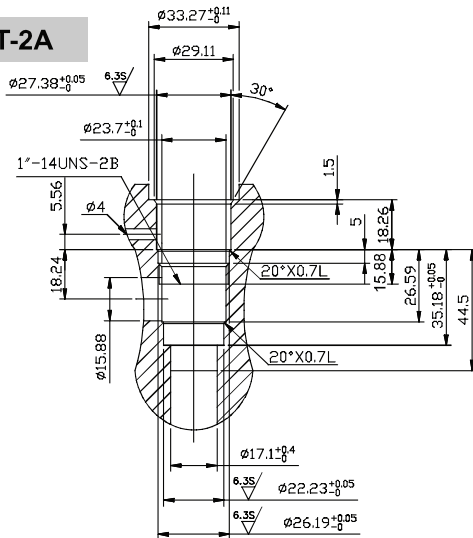
CS16-4N



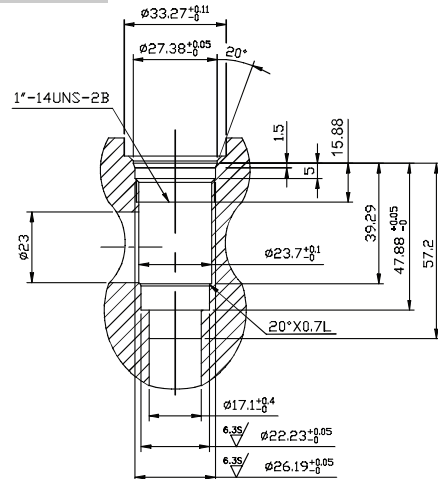
● Recommended tap drill size just for reference.

Cavities Dimensions

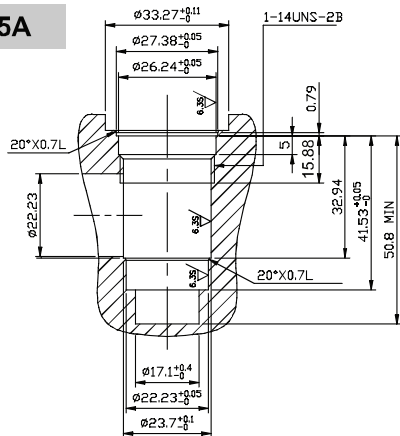
CST-2A



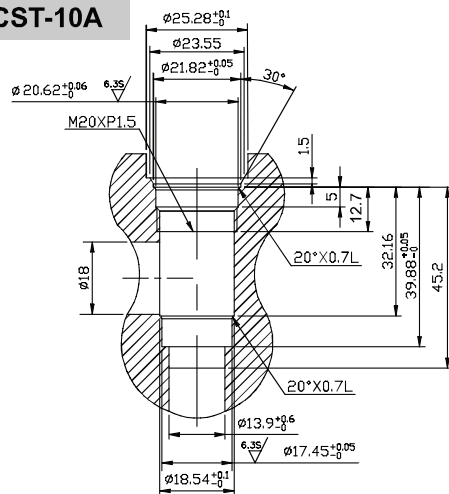
CST-3A



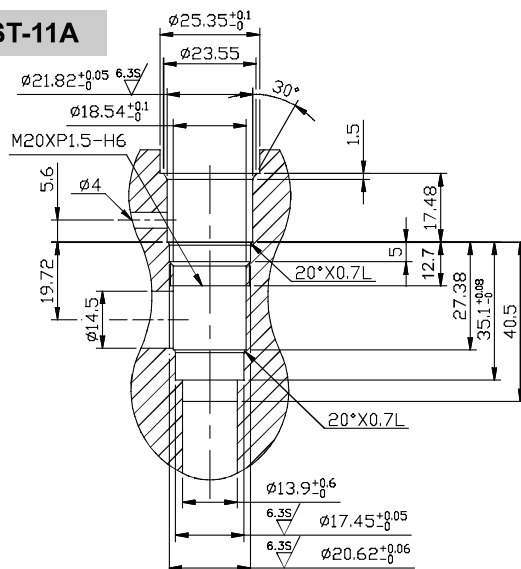
CST-5A



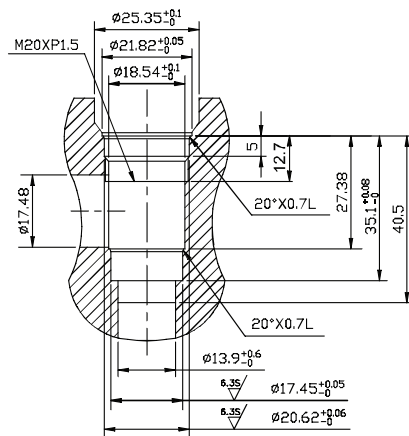
CST-10A



CST-11A

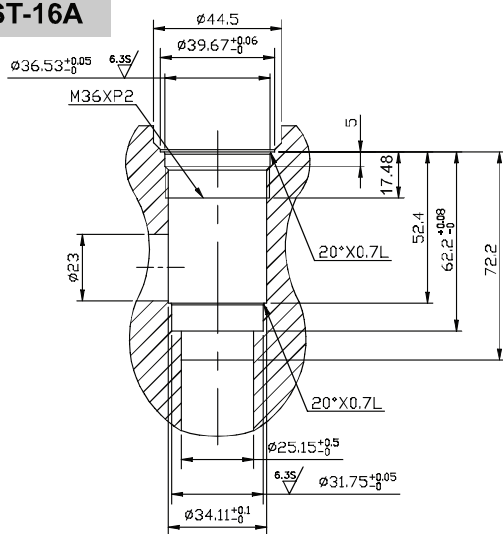


CST-13A

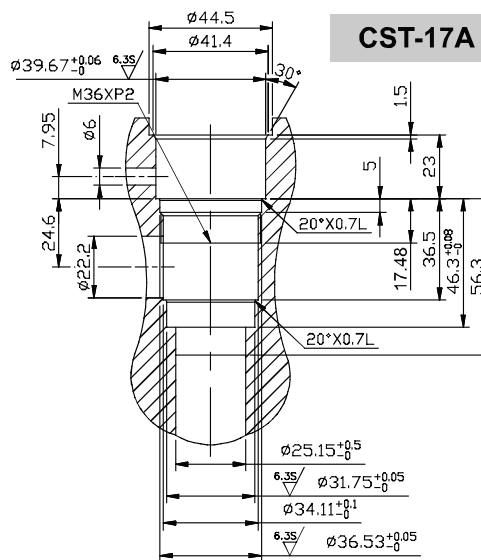


● Recommended tap drill size just for reference.

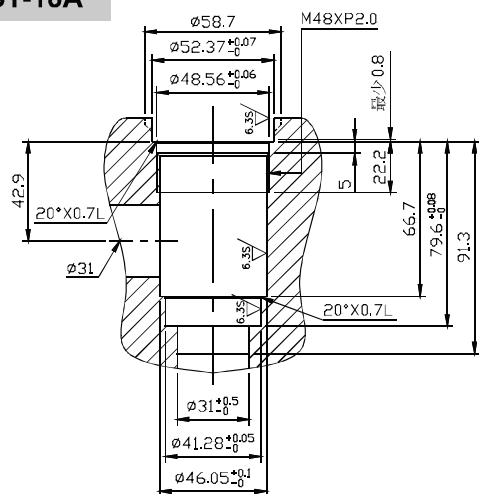
CST-16A



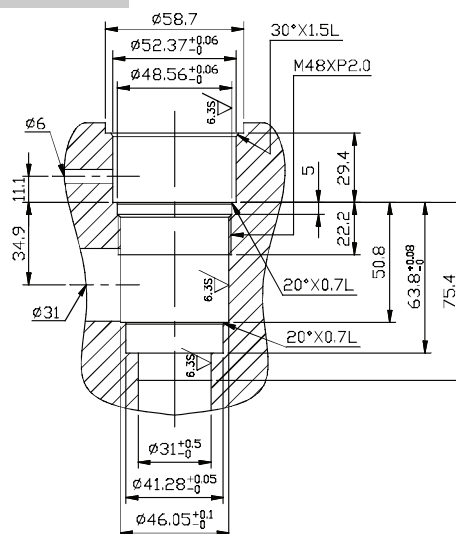
CST-17A



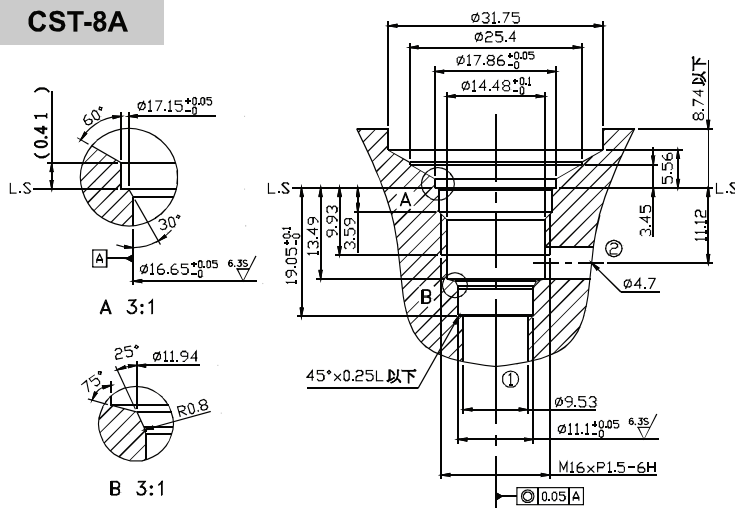
CST-18A



CST-19A



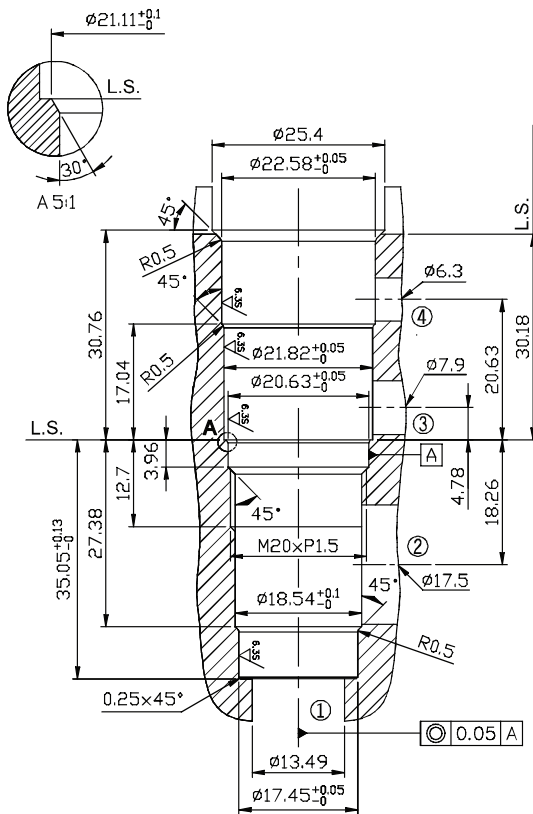
CST-8A



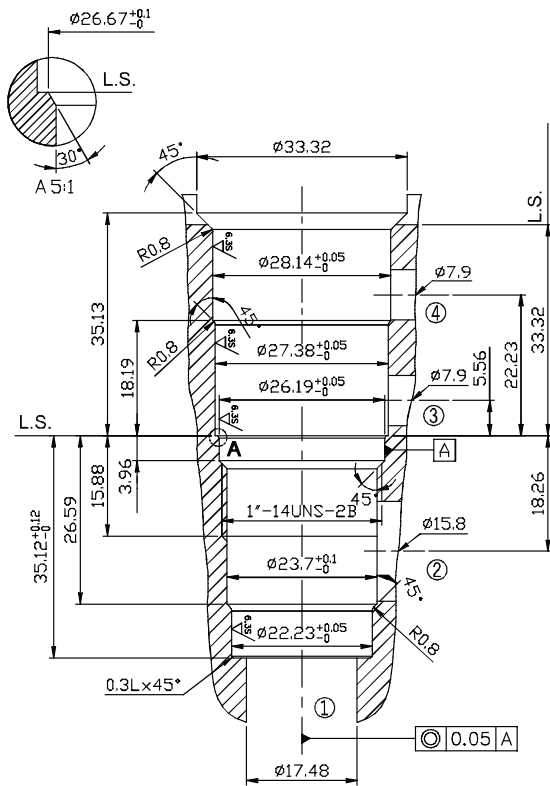
● Recommended tap drill size just for reference.

Cavities Dimensions

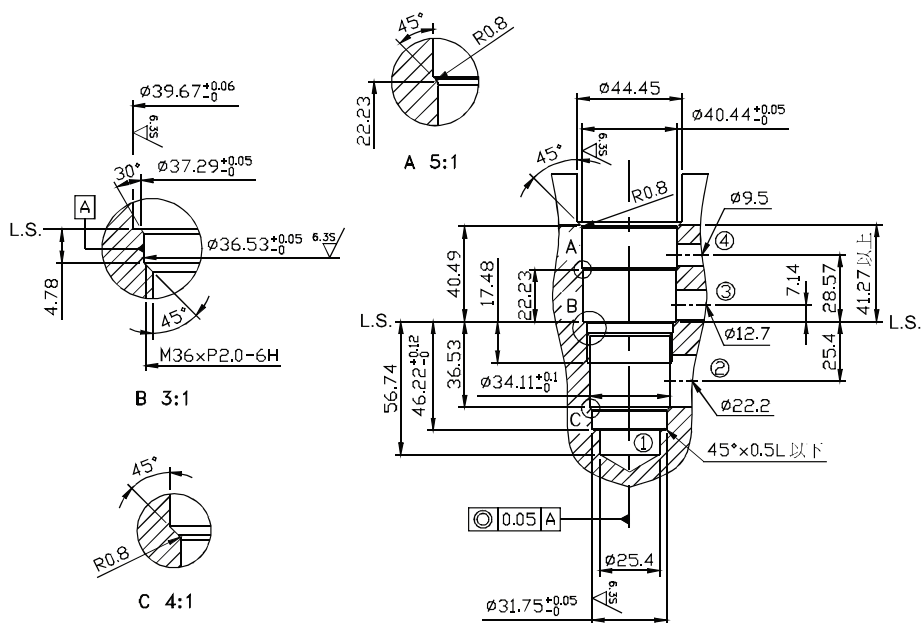
CST-21A



CST-22A



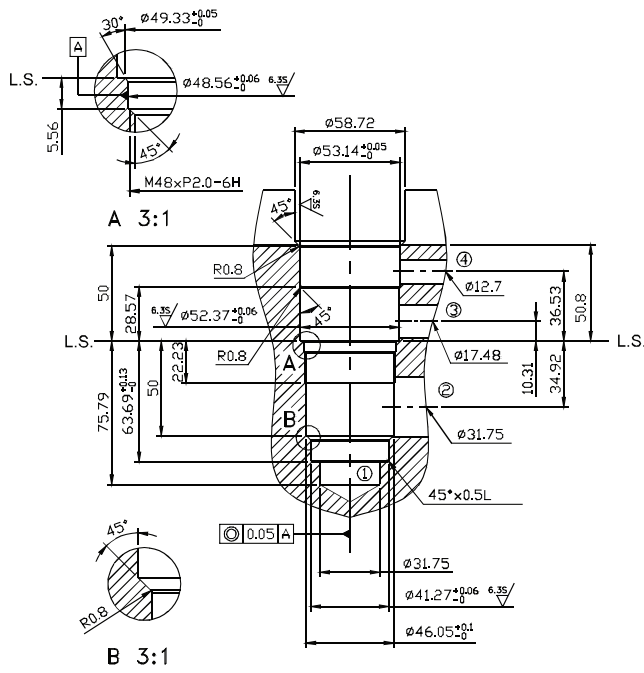
CST-23A



● Recommended tap drill size just for reference.

Cavities Dimensions

CST-24A



● Recommended tap drill size just for reference.