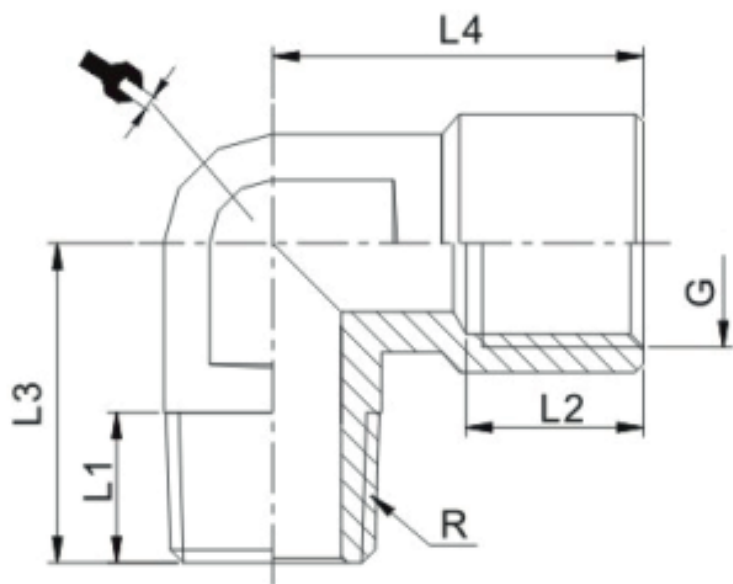


Transition Fittings

CLFM SERIES



Dimension



MODEL	R	G	L1	L2	L3	L4	
CLFM-G0101	R1/8	G1/8	7.5	8.5	16	19	10
CLFM-G0202	R1/4	G1/4	9.5	11	21	23	11
CLFM-G0303	R3/8	G3/8	10.5	12	23	27.5	14
CLFM-G0404	R1/2	G1/2	13.5	14	28	31	17