

**Variable Displacement Vane Pumps**

**WP1 SERIES -Specification**

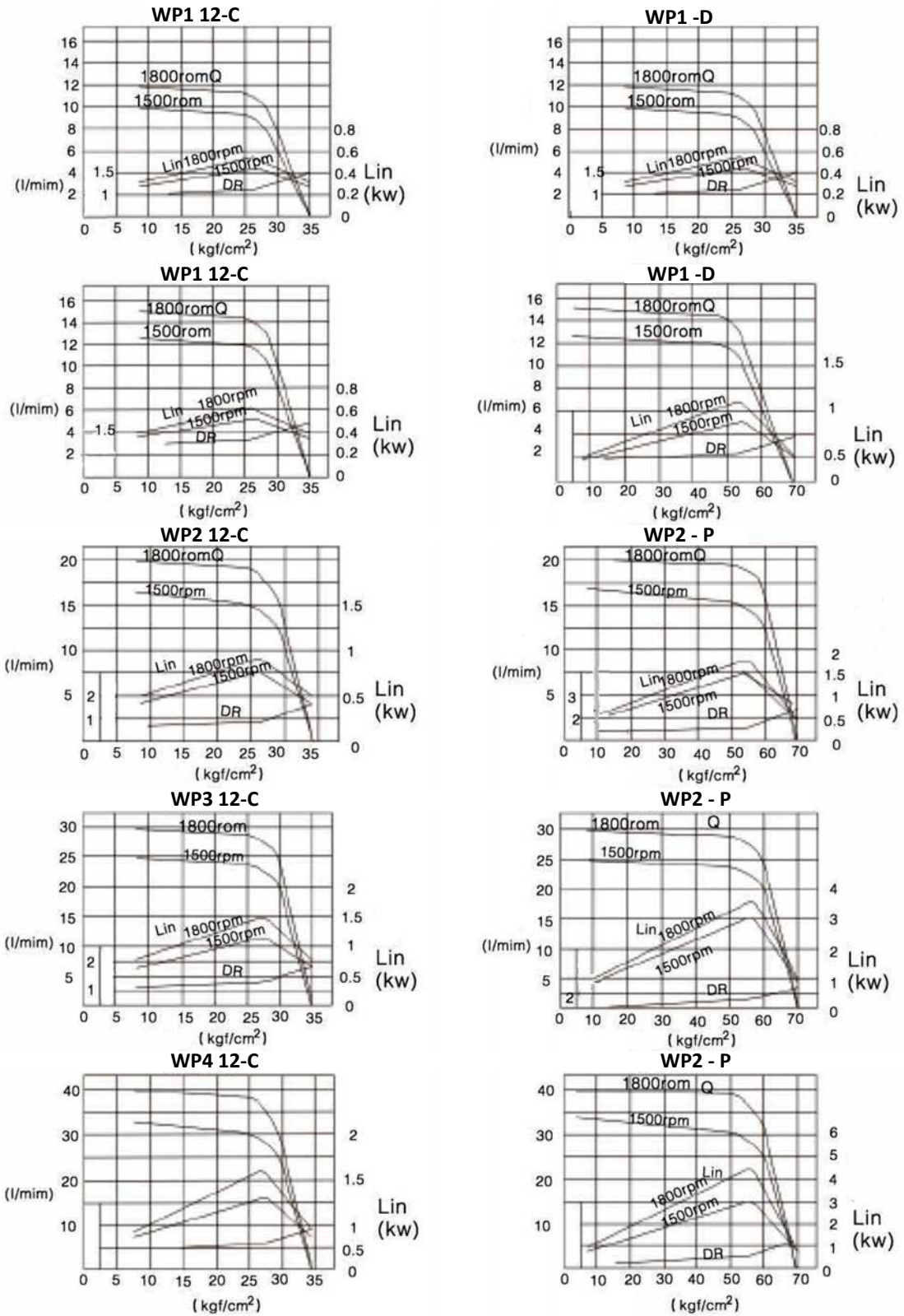


Model	Flow (L / min) (1800r.p.m, 3.5kgf / cm <sup>2</sup> )	Pressure adjusting range (kgf/cm <sup>2</sup> )	Speed (rpm)		Weight (kg)
			Max.	Min.	
WP1- 8- ※-10	8	A: 8~20	1800	800	5.6
WP1-12- ※-10	12	B: 15~35			
WP1-15- ※-10	15	C: 30~55			
WP1-20- ※-10	20	D: 50~70			

Model	Flow (L / min) (1800r.p.m, 3.5kgf / cm <sup>2</sup> )	Pressure adjusting range (kgf/cm <sup>2</sup> )	Speed (rpm)		Weight (kg)
			Max.	Min.	
WP2-30- ※-10	30	A: 8~20	1800	800	10.2
WP2-40- ※-10	40	B: 15~35			
		C: 30~55			10.2
		D: 50~70			

**Variable Displacement Vane Pumps**

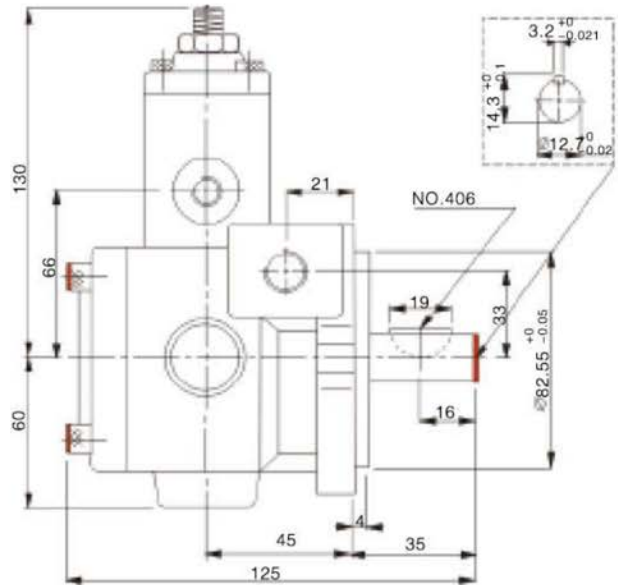
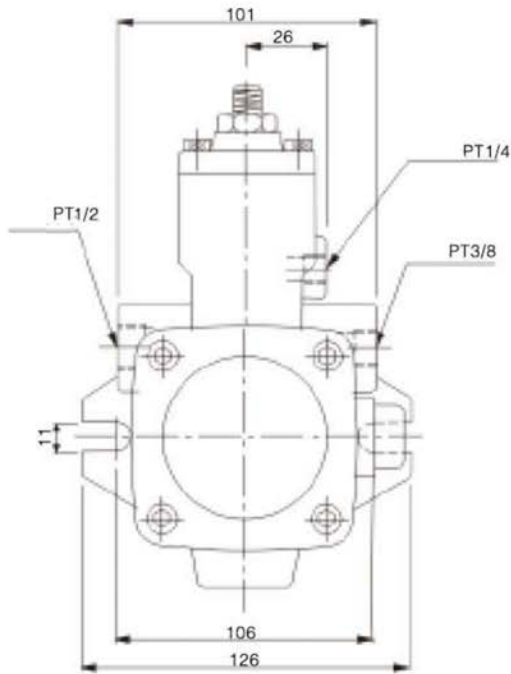
**WP1 SERIES / PUMP CHARACTERISTIC CURVES**



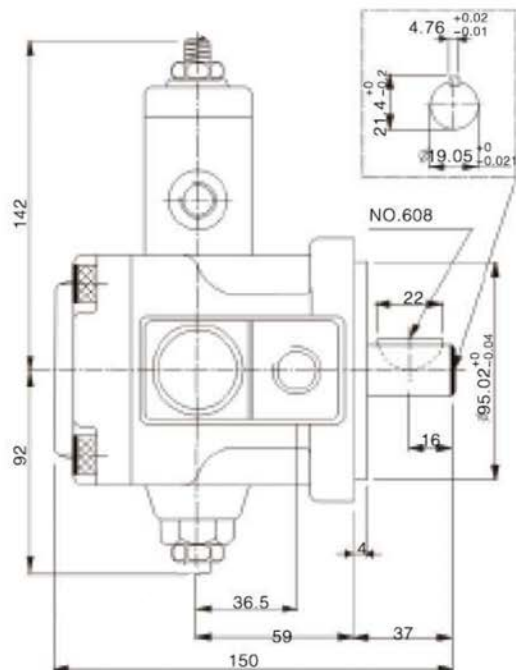
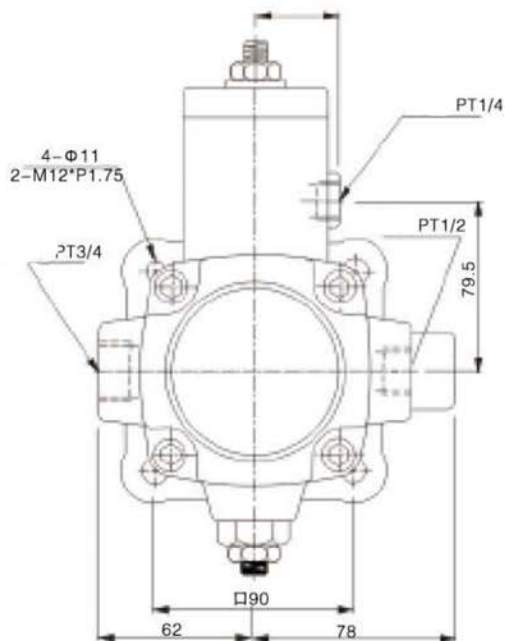
**Variable Displacement Vane Pumps**

**WP1 SERIES**

**WP1-12/15/20**



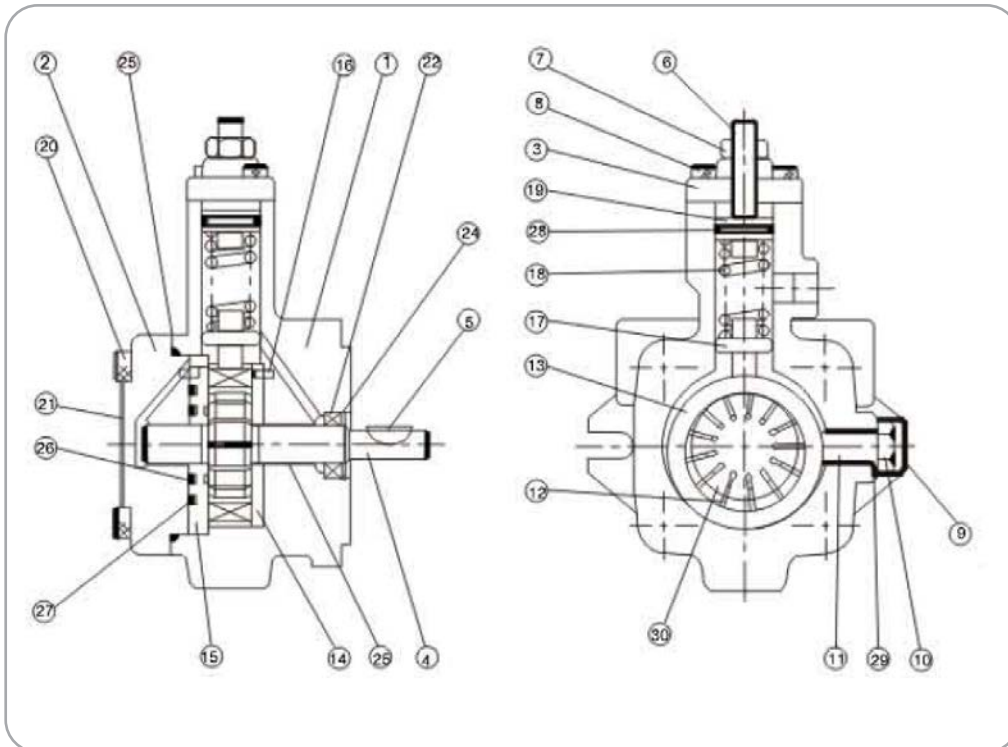
**WP2-30/40**



**Variable Displacement Vane Pumps**

**WP1 SERIES / SPARE PART NUMBERS MAP**

**WP - 12/15/20**



**WP - 30/40**

