

VALFİN ADI VALF DENOMINATION	ÜÇ YOLLU KARTRİÇ TİP BASINÇ DUYARLI HIZ AYAR VALFİ GÖVDE İLE BİRLİKTE PRIORITY THREE WAYS CARTRODGE TYPE, PRESSURE COMPENSATED FLOW CONTROL WITH BODY		
VALF KODU / VALF CODE	VRF / CN / 3V-V / C-38	VRF / CN / 3V-R / C-38	
AYAR / ADJUSTMENT	Elle / Handwhell		Anahtarla / Spanner

Max. debi-oran Max. flow-rate l/min - GPM	Yuva boyutu Port size E-P-B GAS - BSPP	Elle ayarlı Handwheel adjustment	Anahtar ayarlı Spanner adjustment
30 - 7.5	3/8"	020	016

SIPARIŞ KODU / ORDERING CODE

004		000
-----	--	-----

HER BİR KARTRİÇ İÇİN KATALOĞUN İLGİLİ BÖLÜMÜNE BAKIN
DIMENSION AS PER CARTRIDGE ADJUSTMENT TYPE, SEE RELEVANT CATALOGUE SECTION.

VALFİN ADI VALF DENOMINATION	ÜÇ YOLLU KARTRİÇ TİP BASINÇ AYAR VALFİ GÖVDE İLE BİRLİKTE PRIORITY THREE WAYS CARTRODGE TYPE, PRESSURE COMPENSATED FLOW CONTROL WITH BODY		
VALF KODU / VALF CODE	VRF / CN / 3V-V / C-12	VRF / CN / 3V-R / C-12	
AYAR / ADJUSTMENT	Elle / Handwhell		Anahtarla / Spanner

Max. debi-oran Max. flow-rate l/min - GPM	Yuva boyutu Port size E-P-B GAS - BSPP	Elle ayarlı Handwheel adjustment	Anahtar ayarlı Spanner adjustment
45 - 11	1/2"	021	017

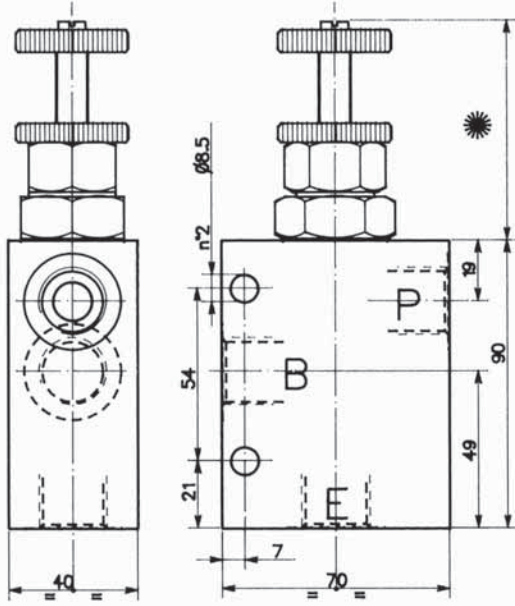
SIPARIŞ KODU / ORDERING CODE

004		000
-----	--	-----

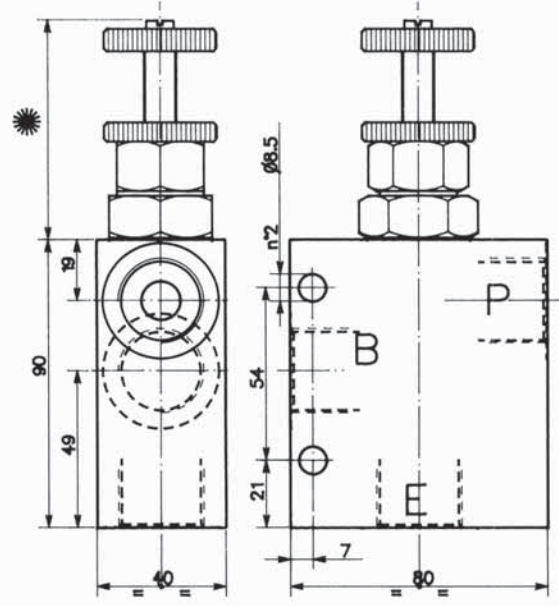
HER BİR KARTRİÇ İÇİN KATALOĞUN İLGİLİ BÖLÜMÜNE BAKINIZ.
DIMENSION AS PER CARTRIDGE ADJUSTMENT TYPE, SEE RELEVANT CATALOGUE SECTION.

VALFİN ADI VALVE DENOMINATION	ÜÇ YOLLU KARTRİÇ TİP BASINÇ AYAR VALFİ GÖVDE İLE BİRLİKTE PRIORITY THREE WAYS CARTRIDGE TYPE, PRESSURE COMPENSATED FLOW CONTROL WITH BODY		Delik Ölçüsü Port Size
VALF KODU VALF CODE	VRF / C / 3V - 100 / C -12 -R	VRF / C / 3V - 100 / C -12 -V	1 / 2" GAS
VALF KODU VALF CODE	VRF / C / 3V - 100 / C -34 -R	VRF / C / 3V - 100 / C -34 -V	3 / 4 " GAS
VALF KODU VALF CODE	VRF / C / 3V - 100 / C -100 -R	VRF / C / 3V - 100 / C -100 -V	1" GAS
Ayar / Adjustment	Anahtarlar / Spanner	Volan Elle / Handwhell	

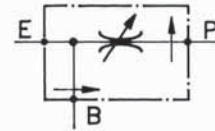
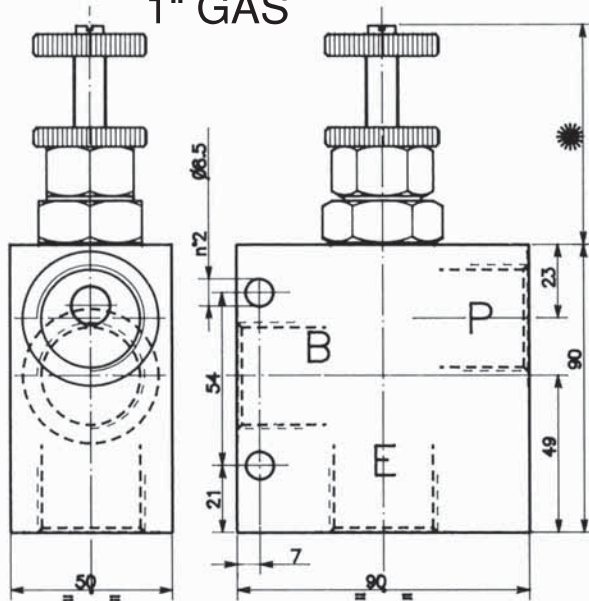
1 / 2 " GAS



3 / 4 " GAS



1" GAS



Max. debi-oran Max. flow-rate l/min - GPM	Delik ölçüsü Port size E-P-B GAS - BSPP	Elle ayarlı Handwheel adjustment	Anahtar ayarlı Spanner adjustment
100 - 24	1/2"	222	227
	3/4"	223	229
	1"	224	231

SİPARİŞ KODU / ORDERING CODE

004 000

● HER BİR KARTRİÇ İÇİN KATALOĞUN İLGİLİ BÖLÜMÜNE BAKIN
DIMENSION AS PER CARTRIDGE ADJUSTMENT TYPE, SEE RELEVANT CATALOGUE SECTION.