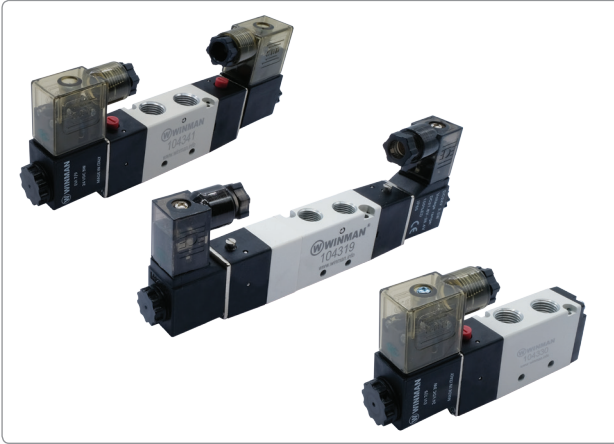
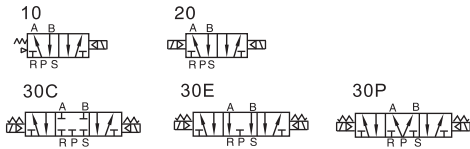


WINMAN Solenoid Valf (5/2 yollu, 5/3 yollu) / Solenoid Valve (5/2 way, 5/3 way)

4V200 Serisi / 4V200 Series

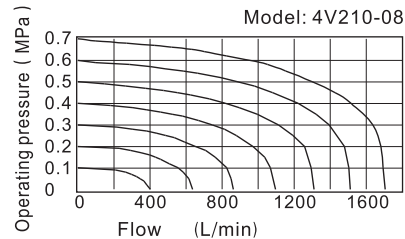
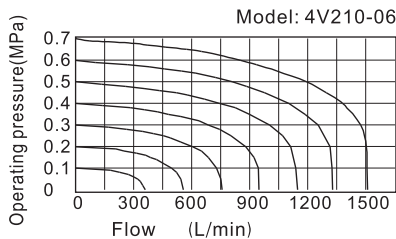

Sembol / Symbol

Ürün Özelliği / Product Feature

1. Pilot-oriented mode: Internal pilot or external pilot.
2. Structure in sliding column mode: good tightness and sensitive reaction.
3. Three position solenoid valves have three kinds of central function for your choice.
4. Double control solenoid valves have memory function.
5. Internal hole adopts special processing technology which has little attrition friction, low start pressure and long service life.
6. No need to add oil for lubrication.
7. It is available to form integrated valve group with the base to save installation space.
8. Affiliated manual devices are equipped to facilitate installation and debugging.
9. Several standard voltage grades are optional.

Sipariş Kodu / Ordering Code
4V 2 10 08 A □ □
 ① ② ③ ④ ⑤ ⑥ ⑦

| ① Model | ② Code | ③ Valve type | ④ Port size | ⑤ Voltage | ⑥ Electrical entry | ⑦ Thread type |
|-----------------------------------|---------------|---------------------------------------------------------------------------------------------------------------------------------------------------------------------------------------------------------|----------------------|------------------------------------------------------------|-------------------------------|-----------------------------|
| 4V: Solenoid valve (5/2, 5/3 way) | 2: 200 Series | 10: Single solenoid 5/2 way 20: Double solenoid 5/2 way 30C: Double solenoid 5/3 way closed center 30E: Double solenoid 5/3 way exhaust center 30P: Double solenoid 5/3 way pressure center | 06: 1/8" 08: 1/4" | A: AC220V B: DC24V C: AC110V E: AC24V F: DC12V | Blank: Terminal I: Grommet | Blank: PT G: G T: NPT |

Please refer to 76 for manifold specification and the order way.

Akış Şeması / Flow Chart

Özellikler / Specification

| Model | 4V210-06 4V220-06 | 4V230C-06 4V230E-06 4V230P-06 | 4V210-08 4V220-08 | 4V230C-08 4V230E-08 4V230P-08 |
|------------------------|----------------------------------------------|-------------------------------------|----------------------------------|-------------------------------------|
| Fluid | Air (to be filtered by 40 μm filter element) | | | |
| Acting | Internal pilot or external pilot | | | |
| Port size [Note1] | In=Out=Exhaust=1/8" | | In=Out=1/4"Exhaust=1/8" | |
| Orifice size | 14.0mm ² (Cv=0.78) | 12.0mm ² (Cv=0.67) | 16.0mm ² (Cv=0.89) | 12.0mm ² (Cv=0.67) |
| Valve type | 5 port 2 position | 5 port 3 position | 5 port 2 position | 5 port 3 position |
| Operating pressure | 0.15~0.8MPa(21~114psi) | | | |
| Proof pressure | 1.2MPa(175psi) | | | |
| Temperature | -20~70°C | | | |
| Material of body | Aluminum alloy | | | |
| Lubrication [Note2] | Not required | | | |
| Max. frequency [Note3] | 5 cycle/sec | 3 cycle/sec | 5 cycle/sec | 3 cycle/sec |
| Weight | 4V210-06:220 4V220-06:320 | 360 | 4V210-08:220 4V220-08:320 | 360 |

[Note1] PT thread, G thread and NPT thread are available.

[Note2] Once lubricated air is used, continue with same medium to optimise valve life span. Lubricants like ISO VG32 or equivalent are recommended.

[Note3] The maximum actuation frequency is in the no-load state.

Bobin Özellikleri / Coil Specification

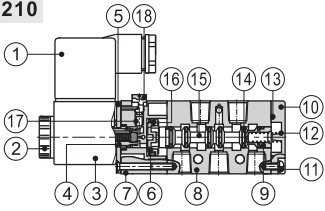
| Item | specification | | | | |
|----------------------------|--------------------|--------|-------|-------|-------|
| Standard voltage | AC220V | AC110V | AC24V | DC24V | DC12V |
| Scope of voltage | AC: ±15% DC: ±10% | | | | |
| Power consumption | 4.5VA | 4.5VA | 5.0VA | 3.0W | 3.0W |
| Protection | IP65(DIN40050) | | | | |
| Temperature classification | B Class | | | | |
| Electrical entry | Terminal, Grommet | | | | |
| Activating time | 0.05 sec and below | | | | |

WINMAN Solenoid Valf (5/2 yollu, 5/3 yollu) / Solenoid Valve (5/2 way, 5/3 way)

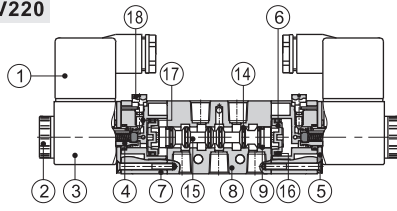
4V200 Serisi / 4V200 Series

İç Yapı / Inner Structure

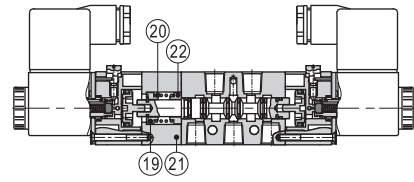
4V210



4V220



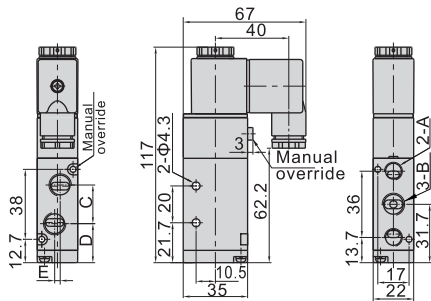
4V230C



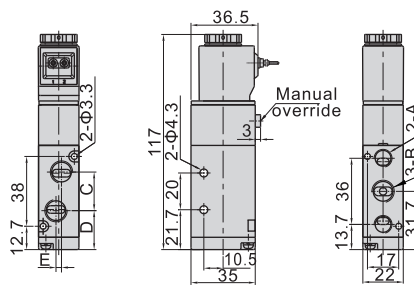
| | | | | | | | | | | | | | | | | | | | | | |
|-------|----------------|-------|---------------|-------|------------------|-------|----------------|--------|-------------------|--------|-------------------|--------|--------------------------|--------|--------------------|--------|----------------------|--------|--------------------|--------|--------------------|
| No. 1 | Item Connector | No. 3 | Item Coil | No. 5 | Item Fixed plate | No. 7 | Item Pilot kit | No. 9 | Item Wear ring | No. 11 | Item Fixed screw | No. 13 | Item Bottom cover gasket | No. 15 | Item Spool | No. 17 | Item Override spring | No. 19 | Item Spring holder | No. 21 | Item Side cover |
| No. 2 | Item Coil net | No. 4 | Item Armature | No. 6 | Item Piston | No. 8 | Item Body | No. 10 | Item Bottom cover | No. 12 | Item Spool spring | No. 14 | Item Spool O-ring | No. 16 | Item Piston O-ring | No. 18 | Item Manual override | No. 20 | Item Return spring | No. 22 | Item Spring holder |

Boyutlar / Dimensions

4V210(Terminal)

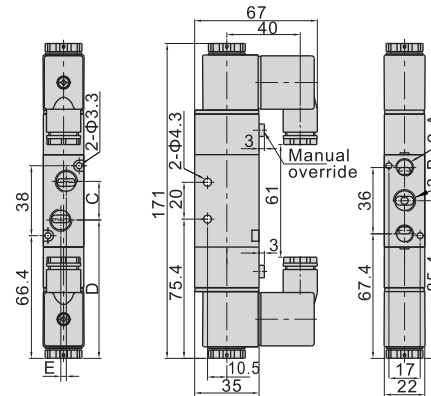


4V210(Grommet)

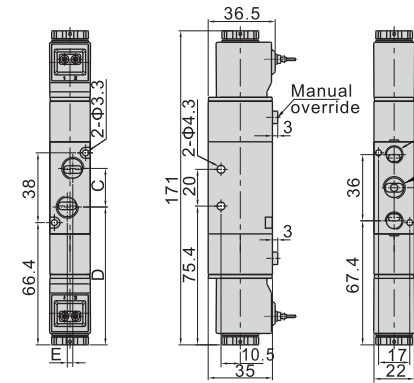


| Model / Item | A | B | C | D | E |
|--------------|------|------|----|------|---|
| 4V210-06 | 1/8" | 1/8" | 18 | 22.7 | 0 |
| 4V210-08 | 1/8" | 1/4" | 21 | 21.2 | 3 |

4V220(Terminal)

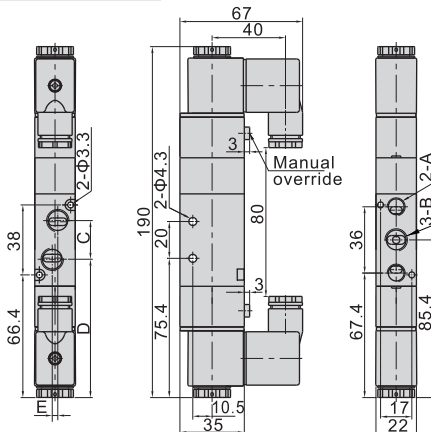


4V220(Grommet)

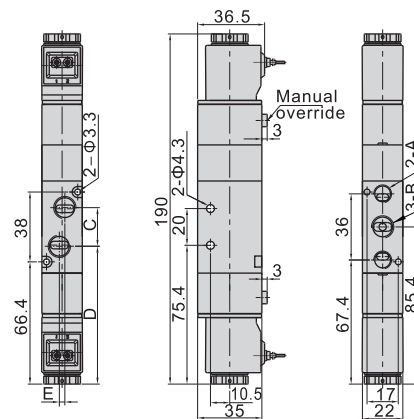


| Model / Item | A | B | C | D | E |
|--------------|------|------|----|------|---|
| 4V220-06 | 1/8" | 1/8" | 18 | 76.4 | 0 |
| 4V220-08 | 1/8" | 1/4" | 21 | 74.9 | 3 |

4V230(Terminal)



4V230(Grommet)



| Model / Item | A | B | C | D | E |
|--------------|------|------|----|------|---|
| 4V230-06 | 1/8" | 1/8" | 18 | 76.4 | 0 |
| 4V230-08 | 1/8" | 1/4" | 21 | 74.9 | 3 |