

**4F SERIES**

**Food Pedal Valve**

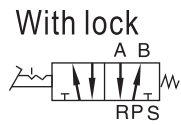
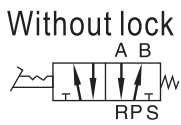


**Specification**

Model	4F210-08	4F210-08L	4F210-08F	4F210-08LF
Fluid	Air ( to be filtered by 40 μ m filter element )			
Operating	Acting type controlled by foot			
Port size ①	1/4"			
Valve type	5/2 Way			
Pressure range	0~0.8MPa (0~114 psi)			
Proof pressure	1.5MPa(215 psi)			
Temperature	-20~70 °C			
Material body	Aluminum alloy			
Lubrication	Not required			

① PT thread. NPT thread and G thread are available.

**Symbol**



**Ordering Code**

**4F210 08 L** □

- Model**: 4F210: 5/2 way foot pedal valve
- Port size**: 08: 1/4"
- Thread type**:
 

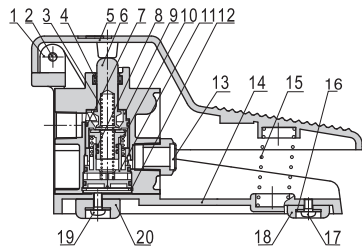
Blank: PT
T: NPT
G: G
- Note**:
 

Blank: Without lock
L: With lock
F: With guard
LF: With lock and guard

**Product feature**

- The aluminum foot pedal is designed with direct acting, which is steady and reliable.
- If the duration of direction-change is long, the valves with lock may be selected.
- The clamping framework is steady and reliable that it is easy and quick to unlock. However, with the limitation of the dimension of structure, it can not bear frequent strong impact.
- Plastic guard with high strength may be selected.

**Inner structure**



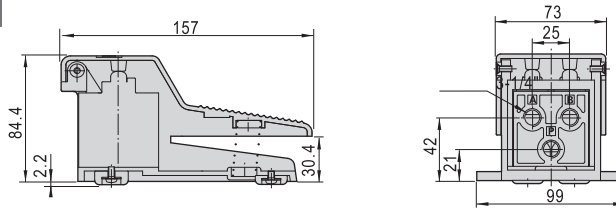
No.	Item	No.	Item	No.	Item	No.	Item
1	Pin	6	Spool	11	Bottom cover	16	Washer
2	Screw	7	O-ring	12	C clip	17	Screw
3	Spring	8	O-ring	13	Silencer	18	Base pad
4	E clip	9	Front cover	14	Base	19	Screw
5	Pedal	10	Piston	15	Pedal spring	20	Base pad

**Note:**

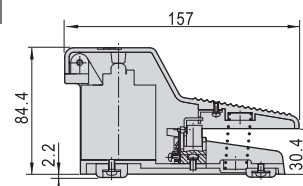
Note: Lockable type should be added grease periodically to ensure the machine can work regularly

**Dimensions**

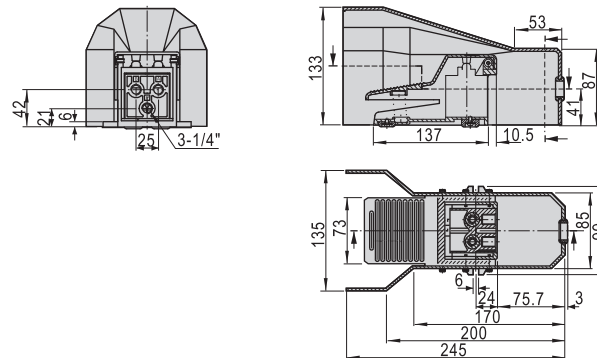
**4F210-08**



**4F210-08L**



**4F210-08F**



**4F210-08LF**

