

WINMAN Hava Kontrollü Valf (5/2 yollu, 5/3 yollu) / Air Control Valve (5/2 way, 5/3 way)

4A400 Serisi / 4A400 Series

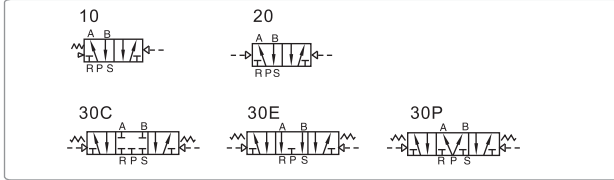

Özellikler / Specification

Model	4A410-15	4A410-15	4A430C-15	4A430E-15	4A430P-15
Fluid	Air (to be filtered by 40 µm filter element)				
Acting	Exterior control				
Port size [Note1]	In=Out=Exhaust=1/2"				
Orifice size	50.0mm ² (Cv=2.79)		30.0mm ² (Cv=1.68)		
Valve type	5 port 2 position		5 port 3 position		
Operating pressure	0.15~0.8MPa(21~114psi)				
Proof pressure	1.2MPa(175psi)				
Temperature	-20~70°C				
Material of body	Aluminum alloy				
Lubrication [Note2]	Not required				
Max. frequency [Note3]	3 cycle/sec				
Weight (g)	555	685			735

[Note1] PT thread, G thread and NPT thread are available.

[Note2] Once lubricated air is used, continue with same medium to optimise valve life span. Lubricants like ISO VG32 or equivalent are recommended.

[Note3] The maximum actuation frequency of no-load state.

Sembol / Symbol

Ürün Özelliği / Product Feature

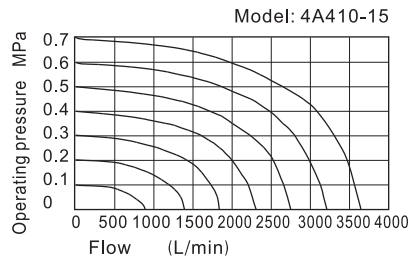
1. Structure in sliding column mode: good tightness and sensitive reaction.
2. Three position solenoid valves have three kinds of central function for your choice.
3. Double control solenoid valves have memory function.
4. Internal hole adopts special processing technology which has little attrition friction, low start pressure and long service life.
5. No need to add oil for lubrication.
6. Integrate with the manifold to save installation space.

Sipariş Kodu / Ordering Code
4A 4 10 15 □

① ② ③ ④ ⑤

Model	Code	Valve type	Port size	Thread type
4A: Air Valve(5/2, 5/3 way)	4: 400 Series	10: Single air control 5/2 way 20: Double air control 5/2 way 30C: Double air control 5/3 way closed center 30E: Double air control 5/3 way exhaust center 30P: Double air control 5/3 way pressure center	15: 1/2"	Blank: PT G: G T: NPT

Please refer to 108 for manifold specification and the order way.

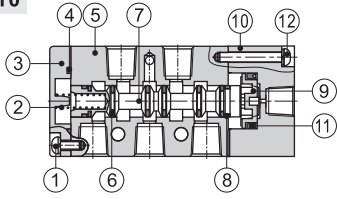
Akış Şeması / Flow Chart


WINMAN Hava Kontrollü Valf (5/2 yollu, 5/3 yollu) / Air Control Valve (5/2 way, 5/3 way)

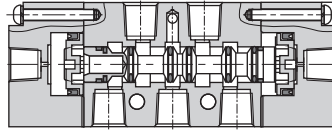
4A400 Serisi / 4A400 Series

İç Yapı / Inner Structure

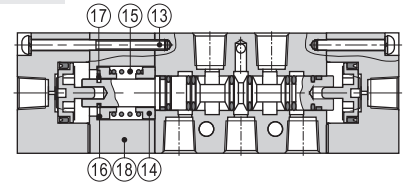
4A410



4A420



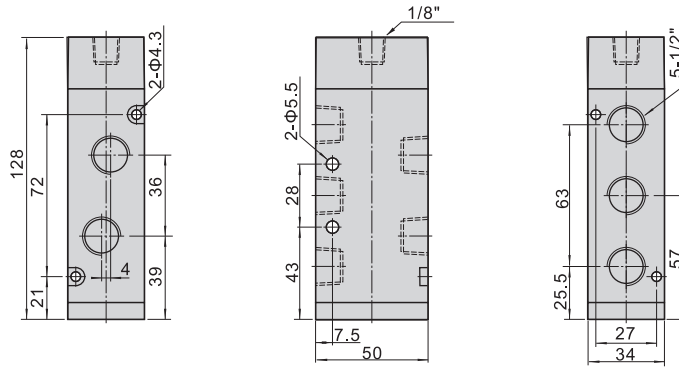
4A430C



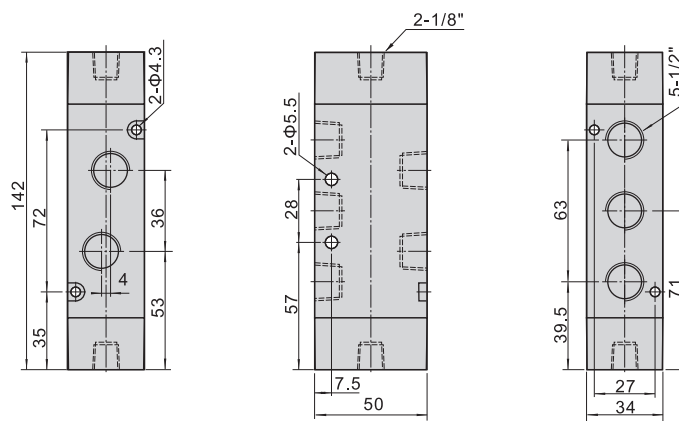
No.	Item	No.	Item	No.	Item	No.	Item	No.	Item	No.	Item	No.	Item	No.	Item		
1	Screw	3	Bottom cover	5	Body	7	Spool	9	Piston	11	O-ring	13	Screw	15	Return Spring	17	E Clip
2	Spring	4	Bottom cover gasket	6	O-ring	8	Wear ring	10	Pilot body	12	Screw	14	Spring holder	16	Spring holder	18	Side cover

Boyutlar / Dimensions

4A410



4A420



4A430

