

WINMAN Solenoid Valf (3/2 yollu) / Solenoid Valve (3/2 way)

3V1 Serisi / 3V1 Series

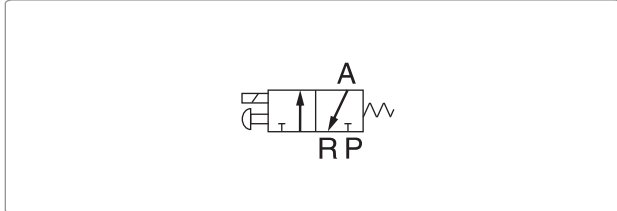


Özellikler / Specification

| Model | 3V1-M5 | 3V1-06 |
|--------------------|---|--------|
| Fluid | Air (to be filtered by 40 µ m filter element) | |
| Acting | Direct acting | |
| Port size [Note1] | M5 | 1/8" |
| Valve type | 3 port 2 position | |
| Lubrication | Not required | |
| Operating pressure | 0~0.8 MPa (0~114psi) | |
| Proof pressure | 1.2 MPa(175 psi) | |
| Temperature | -20~70°C | |
| Orifice size | Φ 1.2 mm | |
| Material of body | Aluminum alloy | |

[Note1] PT thread, G thread and NPT thread are available.

Sembol / Symbol



Bobin özellikleri / Coil Specification

| Model | Specification | | | | |
|----------------------------|--------------------|--------|-------|-------|-------|
| Standard voltage | AC220V | AC110V | AC24V | DC24V | DC12V |
| Scope of voltage | AC: ±15% DC: ±10% | | | | |
| Power consumption | 4.5VA | 4.5VA | 5.0VA | 3.0W | 3.0W |
| Protection | IP65(40050) | | | | |
| Temperature classification | B Class | | | | |
| Electrical entry | Terminal, Grommet | | | | |
| Activating time | 0.05 sec and below | | | | |
| Max. frequency [Note 1] | 10 cycle/sec | | | | |

[Note 1] The maximum actuation frequency is in the no-load state.

Ürün Özelliği / Product Feature

1. Direct acting type and normally closed mode, flexible in direction cahnge.
2. No need to add oil for lbrication.
3. Several valves can be intalled integrately to save installation space.
4. Affiliated manual devices are equipped to facilitate installation and debugging.
5. Several standard voltage grades are optional.

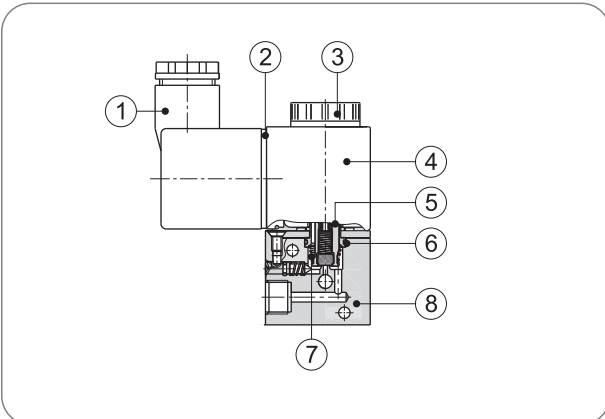
Sipariş kodu / Ordering Code

3V 1 06 A □ □

① ② ③ ④ ⑤ ⑥

| ① Model | ② Code | ③ Port size | ④ Standard voltage | ⑤ Electrical entry | ⑥ Thread type |
|------------------------------|-------------|--------------------|--|-------------------------------|---|
| 3V: Solenoid valve (3/2 way) | 1: 1 Series | M5: M5 06: 1/8" | A: AC220V B: DC24V C: AC110V E: AC24V F: DC12V | Blank: Terminal I: Grommet | No this code Blank: PT G: G T: NPT |

İç Yapı / Inner Structure



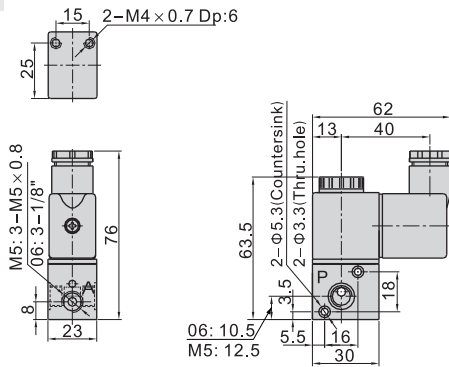
| No. | Item | No. | Item | No. | Item |
|-----|-----------|-----|----------|-----|---------------|
| 1 | Connector | 4 | Coil | 7 | Return spring |
| 2 | Gasket | 5 | Armature | 8 | Body |
| 3 | Coil nut | 6 | O-ring | | |

WINMAN Solenoid Valf (3/2 yollu) / Solenoid Valve (3/2 way)

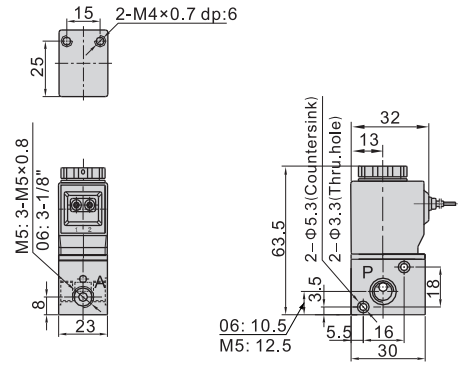
3V1 Serisi / 3V1 Series

Boyutlar / Dimensions

Terminal

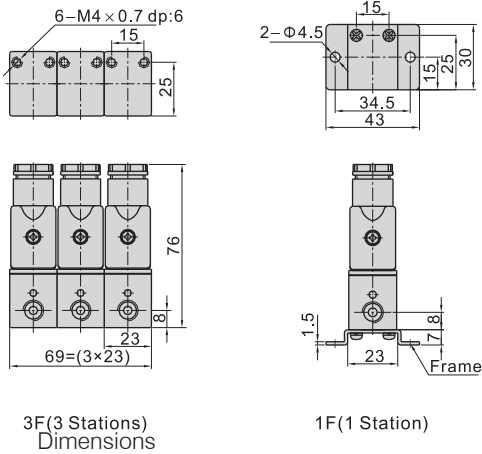


Grommet

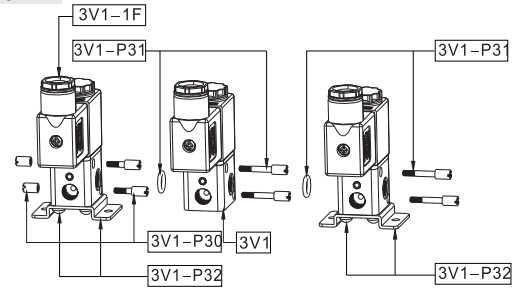


Seri Bağlantı / Series Connection

Dimensions



How to joint



Product structure

| Connection Amount(Q.TY) | 3V1 | 3V1-P30 | 3V1-P31 | 3V1-P32 |
|-------------------------|----------|---------|-------------|---------|
| 3V1-□-□-1F | 1 | 0 | 0 | 1 |
| 3V1-□-□-2F | 2 | 1 | 1 | 1 |
| | | | | |
| 3V1-□-□- <i>n</i> F | <i>n</i> | 1 | <i>n</i> -1 | 2 |

Note: "n" is the number of junction valve, and $n \geq 3$.

Seri için sipariş kodu / Ordering code for series

3V 1 06 A □ 3F □

① ② ③ ④ ⑤ ⑥ ⑦

| ① Model | ② Code | ③ Port size | ④ Standard voltage | ⑤ Electrical entry | ⑥ Number of stations | ⑦ Thread type |
|------------------------------|-------------|--------------------|--|-------------------------------|--|--|
| 3V: Solenoid valve (3/2 way) | 1: 1 Series | M5: M5 06: 1/8" | A: AC220V B: DC24V C: AC110V E: AC24V F: DC12V | Blank: Terminal I: Grommet | 1F: 1 Station 2F: 2 Stations 3F: 3 Stations 20F: 20 Stations | Not this code Blank: PT G: G T: NPT |

The above codes have included the series accessories, so it is unnecessary to order the accessories specially. But if you like, you could order as follows.

| Code of accessories | Accessory name | Part code | Part name | Quantity |
|---------------------|-------------------------|-------------|------------------------|----------|
| 3V1-P30 | Coupling screw assembly | F-3V1002B | Coupling screw(S) | 2 |
| | | F-3V1003B | Coupling screw(M) | 2 |
| 3V1-P31 | Coupling screw assembly | GOR20008N75 | O-Ring | 1 |
| | | F-3V1004B | Coupling screw(L) | 2 |
| 3V1-P32 | Bracket assembly | F-3V1001B | Fixed mounting | 1 |
| | | GSDA04008ZA | Cross round head screw | 2 |